



20.202.0034
裸机
Bare Machine

20.203.0030
断料检测组件
Filament Runout Detection
Assembly

20.203.0034
料架套件
Spool Holder Kit

20.203.0062
龙门架套件
Gantry Column Kit

20.203.0063
X轴套件
X-Axis Kit

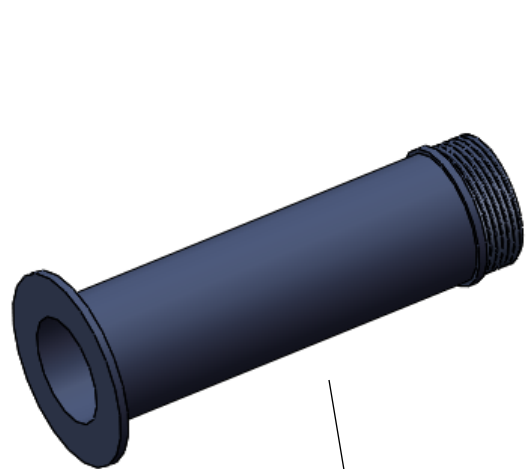
20.203.0029
显示屏套件
Touchscreen Kit

20.203.0061
底座套件
Base Kit

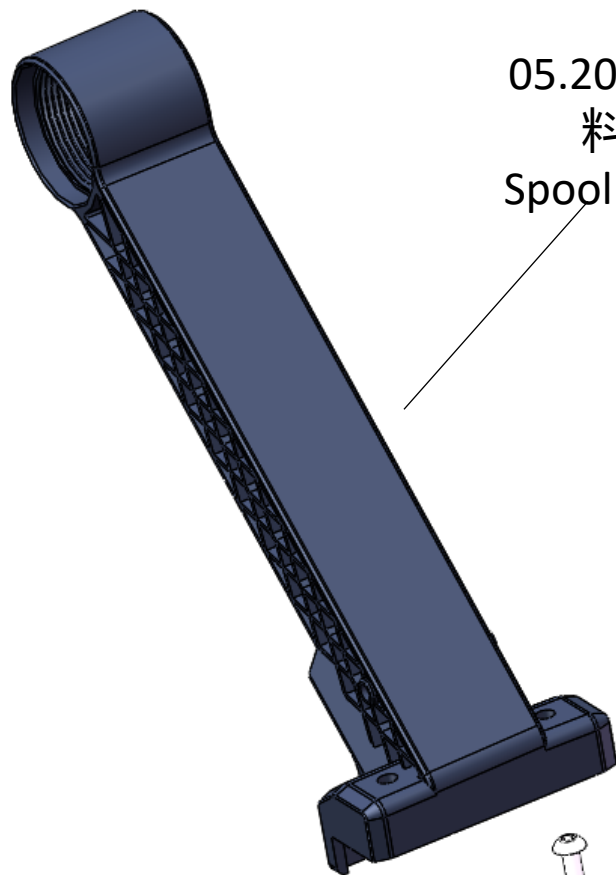




20.203.0034
料架套件
Spool Holder Kit

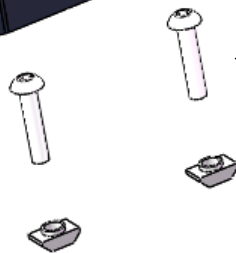


05.201.0072
料架管
Spool Holder Tube

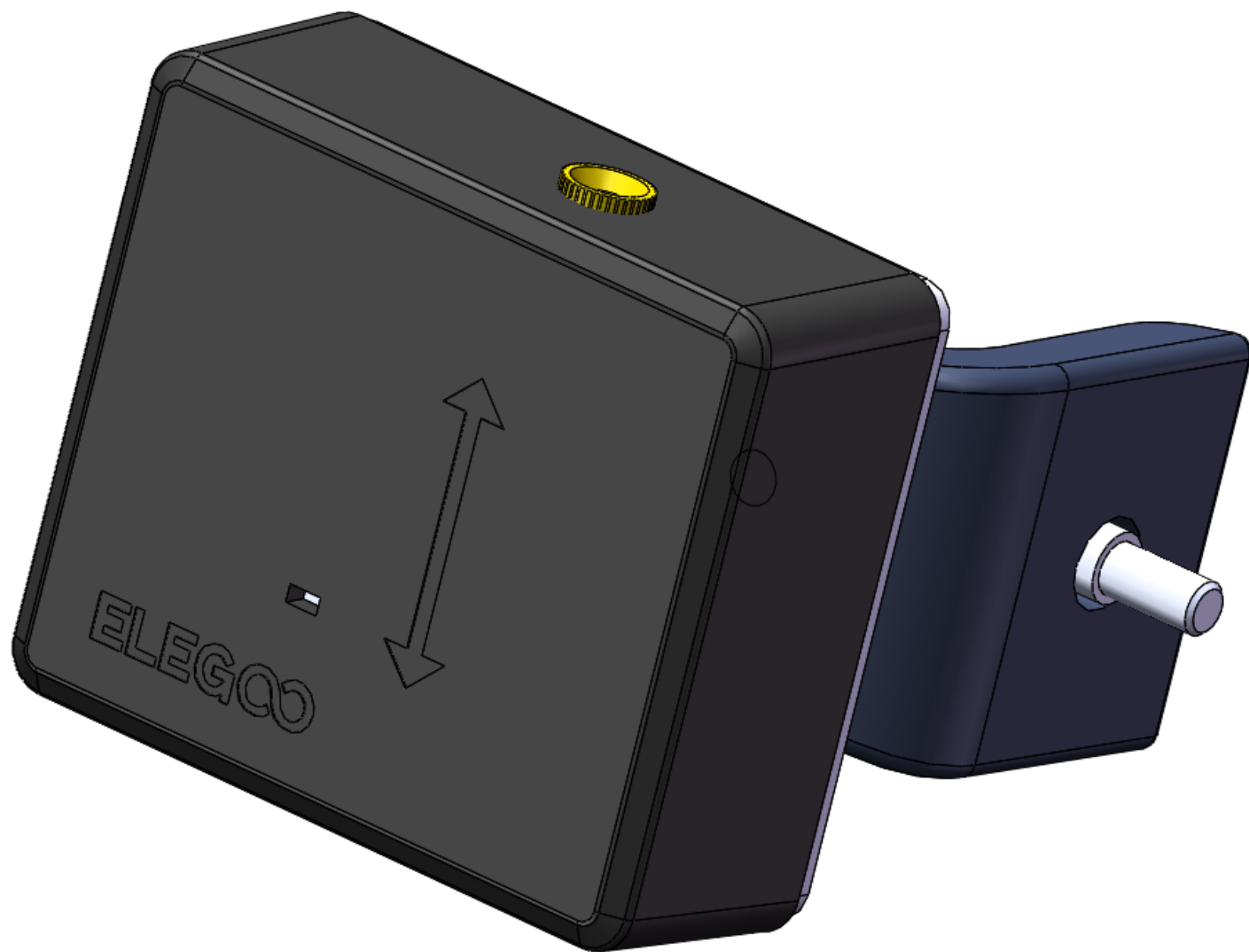


05.201.0065
料架
Spool Holder

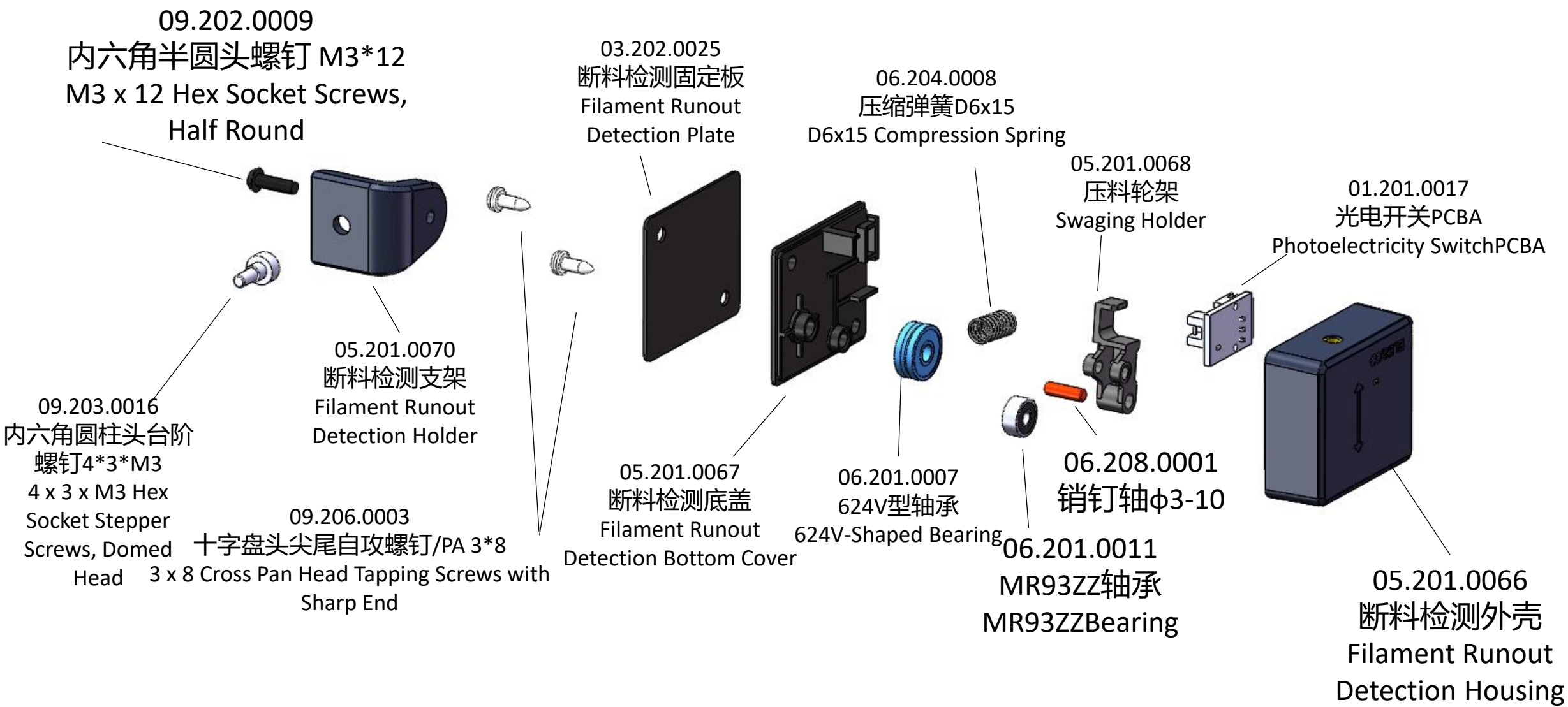
09.202.0029
内六角半圆头螺钉 M4*18
M4 x 18 Hex Socket Screws,
Half Round



09.205.0004
方形滑块螺母 M4
M4 Rectangle Slider Nut

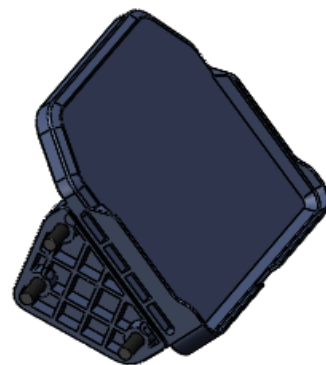


20.203.0030
断料检测组件
Filament Runout
Detection Assembly





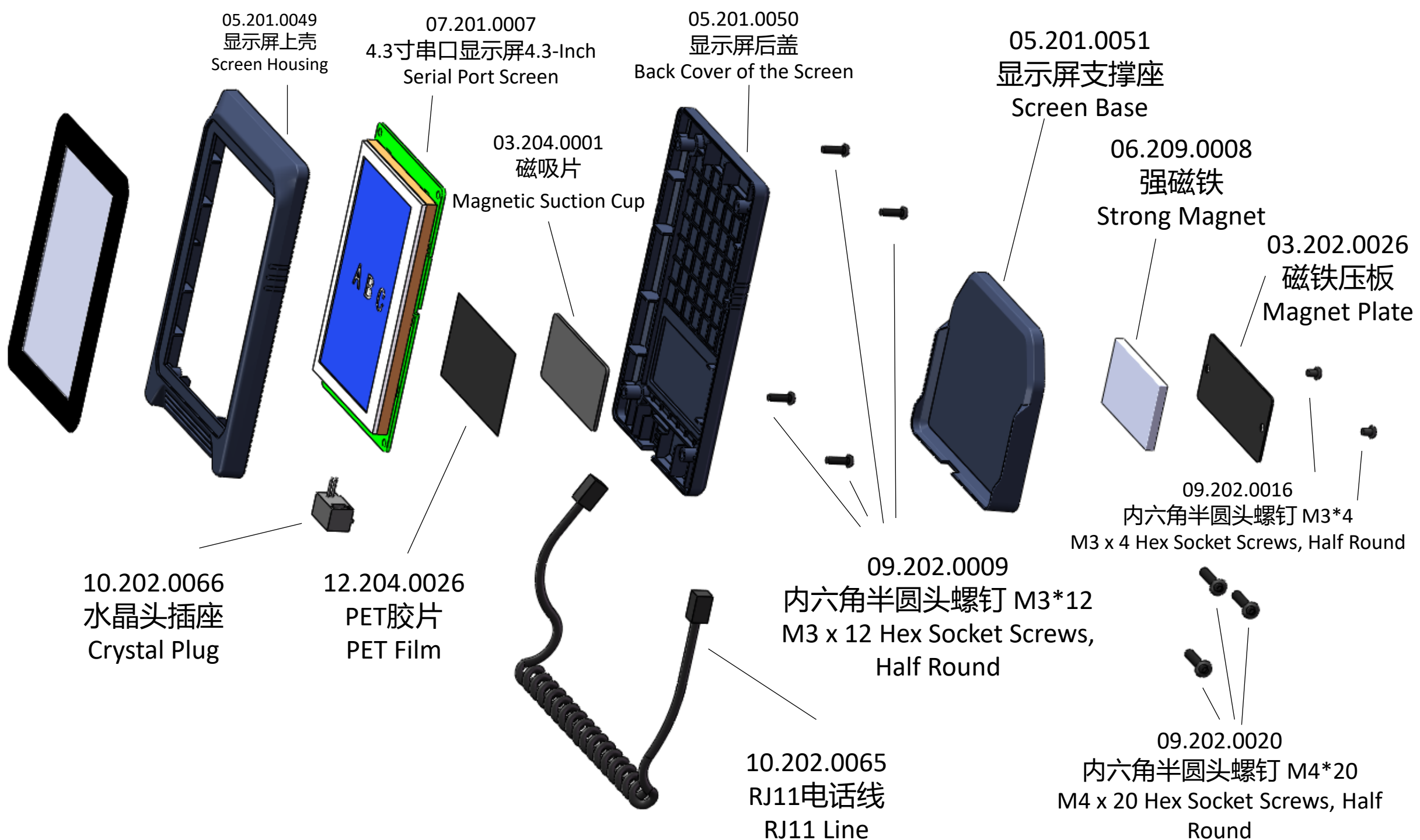
20.203.0029
显示屏套件
Screen Kit

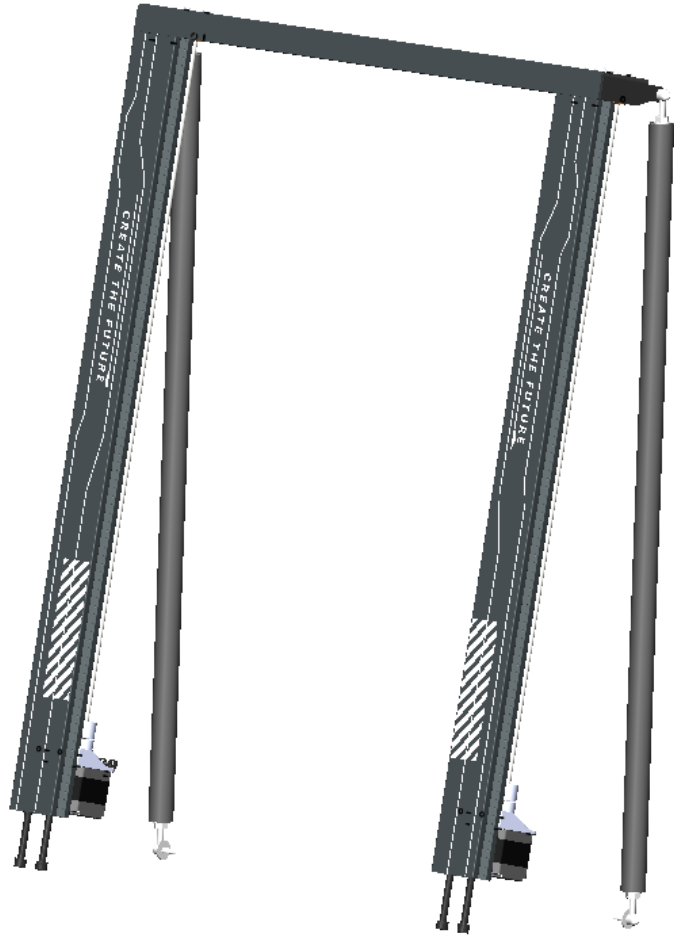


20.204.0067
显示屏支架组件
Screen Holder Assembly

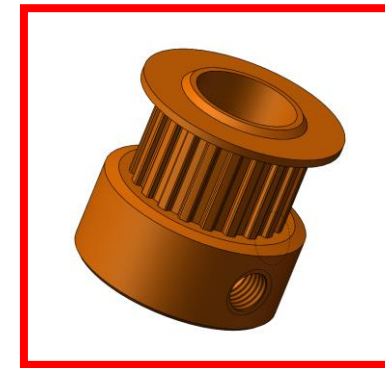
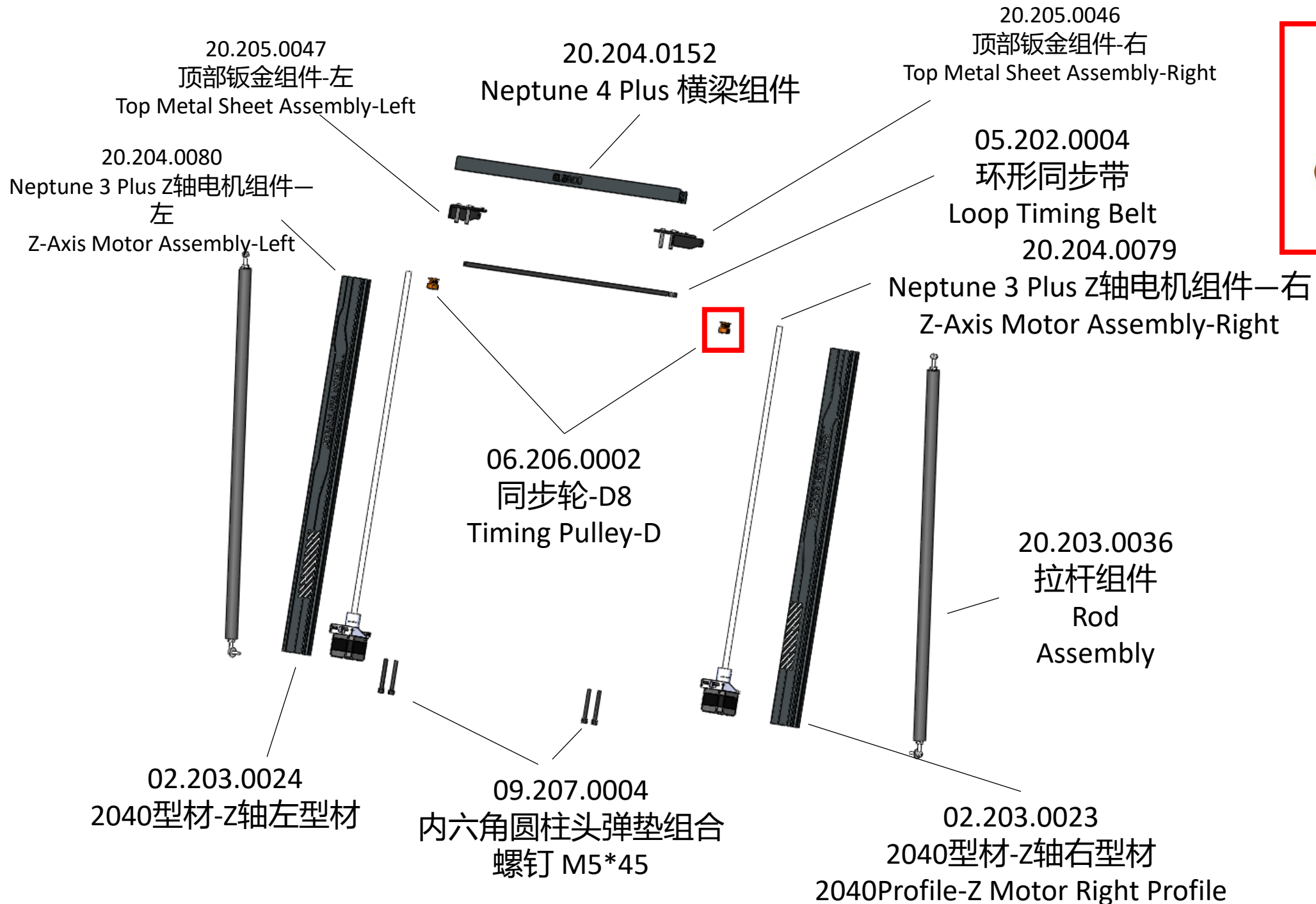


20.204.0068
Screen Assembly
Cat # 001454





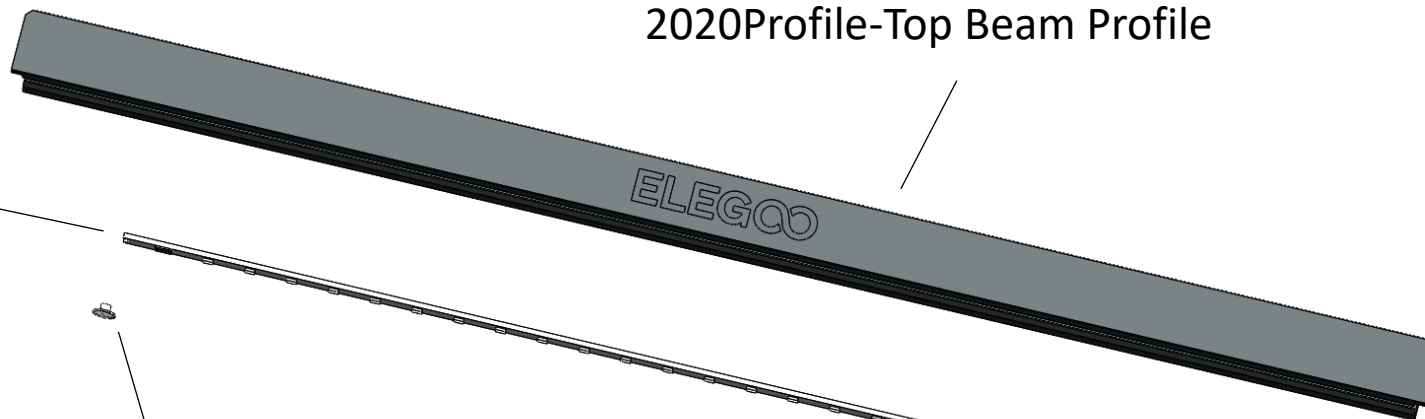
20.203.0062
龙门架套件
Gantry Column Kit



20.204.0152
横梁组件
Beam Assembly



02.203.0014
2020型材-顶端横梁型材
2020Profile-Top Beam Profile



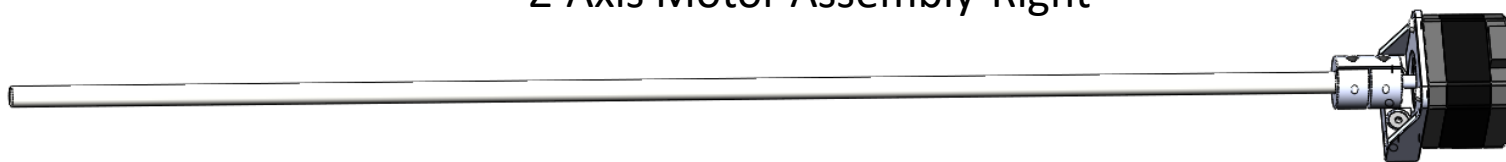
20.205.0091
横梁灯组件
Beam Light Assembly



09.201.0018
内六角沉头螺钉 M2*5
M2 x 5 Hex Socket
Countersunk Screws



20.204.0079
z轴电机组件—右
Z-Axis Motor Assembly-Right



06.203.0005
T型丝杆-522
T-Shaped Lead Screw-522

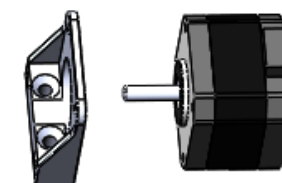


09.202.0001
内六角半圆头螺钉 M3*6
M3 x 6 Hex Socket Screws, Half Round

06.207.0001
刚性联轴器
Standard
Coupling



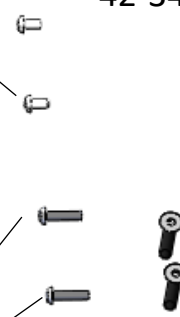
08.201.0005
42-34黑色电机 (圆轴)
42-34Black Motor (Round Shaft)



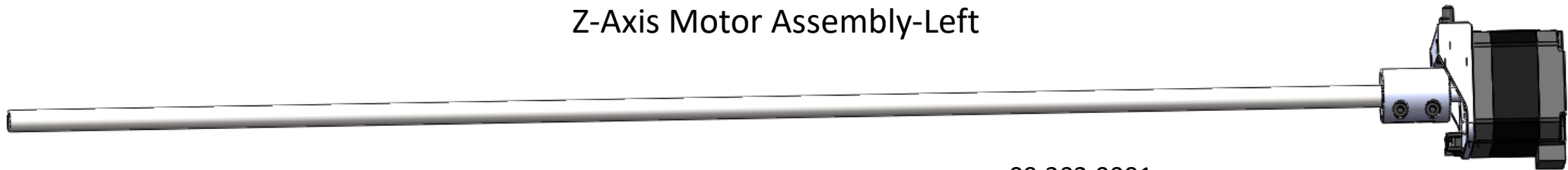
09.202.0009
内六角半圆头螺钉 M3*12
M3 x 12 Hex Socket Screws, Half Round

09.201.0015
内六角沉头螺钉 M4*20

05.201.0052
z轴电机固定座
Z-Axis Motor
Fixation Base



20.204.0080
z轴电机组件—左
Z-Axis Motor Assembly-Left



06.203.0005
T型丝杆-522
T-Shaped Lead Screw-522



09.202.0001
内六角半圆头螺钉 M3*6
M3 x 6 Hex Socket Screws, Half Round

06.207.0001
刚性联轴器
Standard Coupling

08.201.0005
42-34黑色电机 (圆轴) 42-34
Black Motor (Round Shaft)



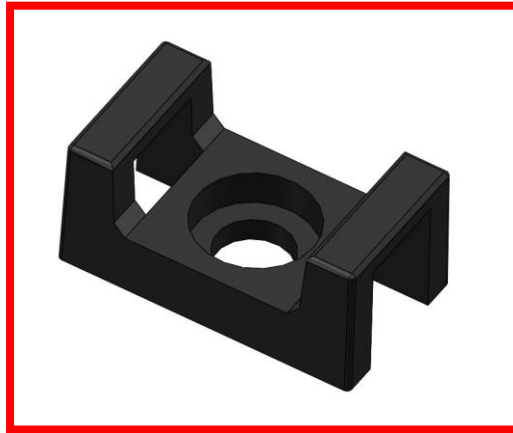
09.202.0009
内六角半圆头螺钉 M3*12
M3 x 12 Hex Socket Screws, Half Round

09.201.0015
内六角沉头螺钉 M4*20
M4 x 20 Hex Socket Countersunk Screws

09.201.0002
内六角沉头螺钉 M3*10
M3 x 10 Hex Socket Countersunk Screws

05.209.0007
扎带固定座
Cable Tie Base

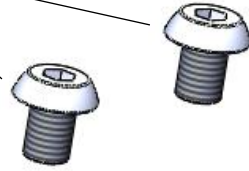
05.201.0052
z轴电机固定座
Z-Axis Motor Fixation Base



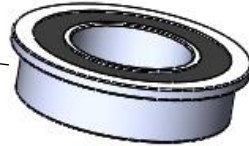


20.205.0047
顶部钣金组件-左
Top Metal Sheet Assembly-Left

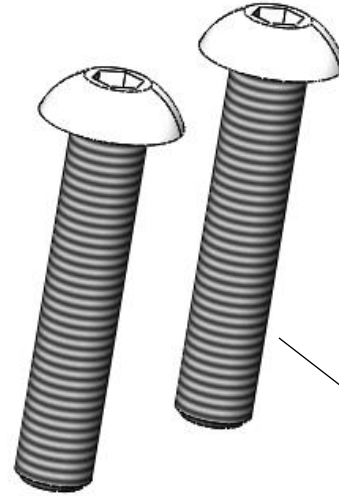
09.202.0016
内六角半圆头螺钉 M3*4
M3 x 4 Hex Socket Screws, Half Round



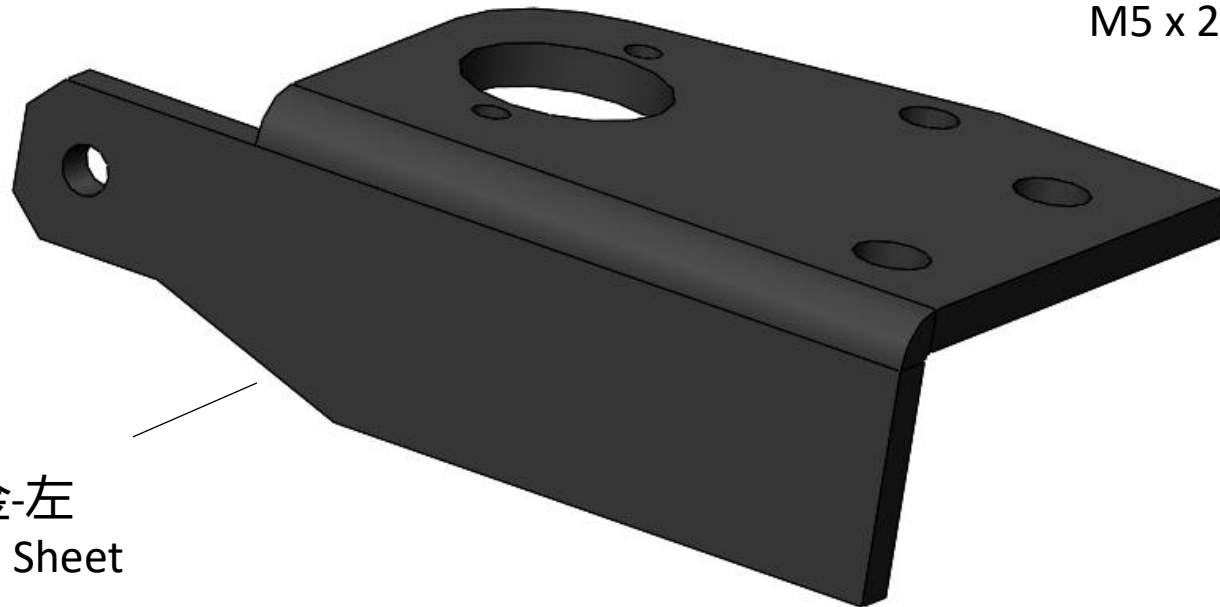
06.201.0010
MF148zz法兰轴承
MF148zz Flange Bearing



09.202.0024
内六角半圆头螺钉 M5*25
M5 x 25 Hex Socket Screws, Half Round



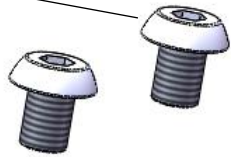
03.202.0047
丝杆顶部固定板金-左
Top Lead Screw Metal Sheet
Assembly-Left



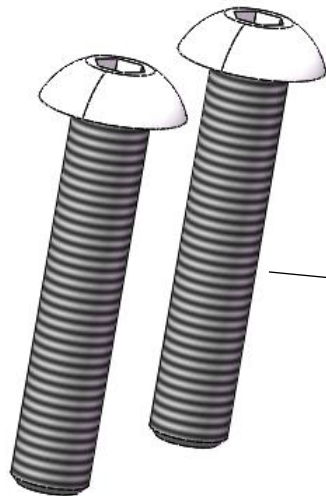


20.205.0046
顶部钣金组件-右
Top Lead Screw Metal
Sheet Assembly-Right

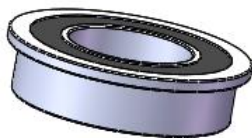
09.202.0016
内六角半圆头螺钉 M3*4
M3 x 4 Hex Socket Screws, Half Round



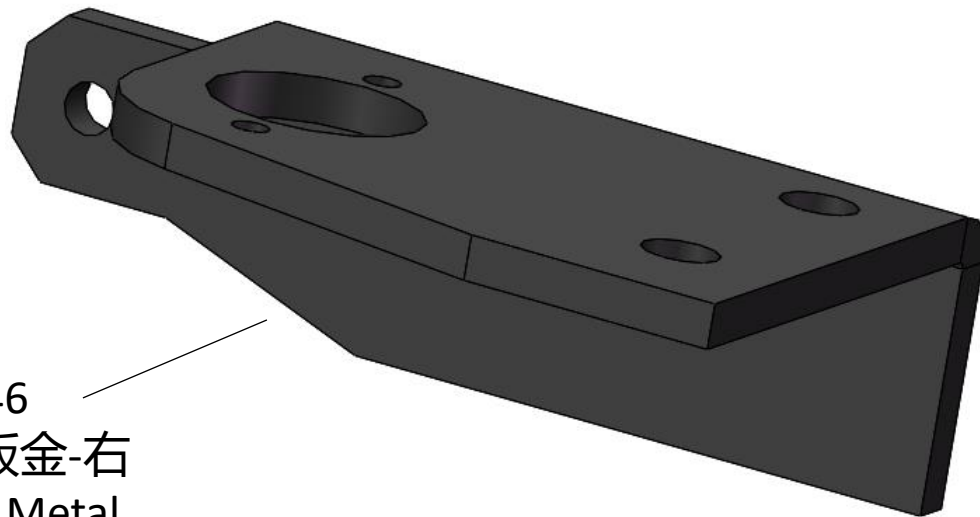
09.202.0024
内六角半圆头螺钉 M5*25
M5 x 25 Hex Socket Screws, Half Round



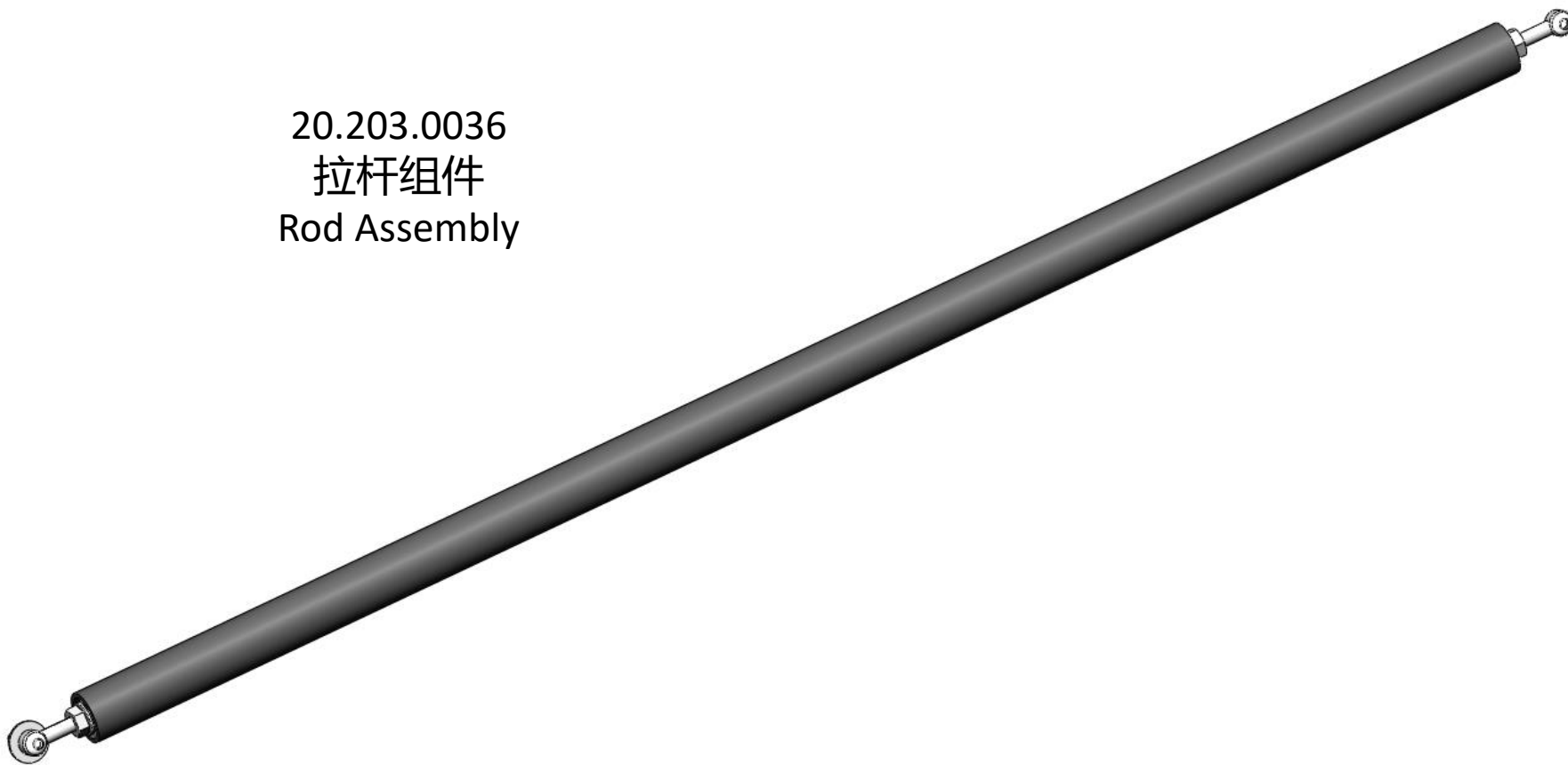
06.201.0010
MF148zz法兰轴承
MF148zz Flange Bearing



03.202.0046
丝杆顶部固定板金-右
Top Lead Screw Metal
Sheet Assembly-Right



20.203.0036
拉杆组件
Rod Assembly



09.214.0001
活节螺丝 M5*25
M5 x 25
Swing Screw

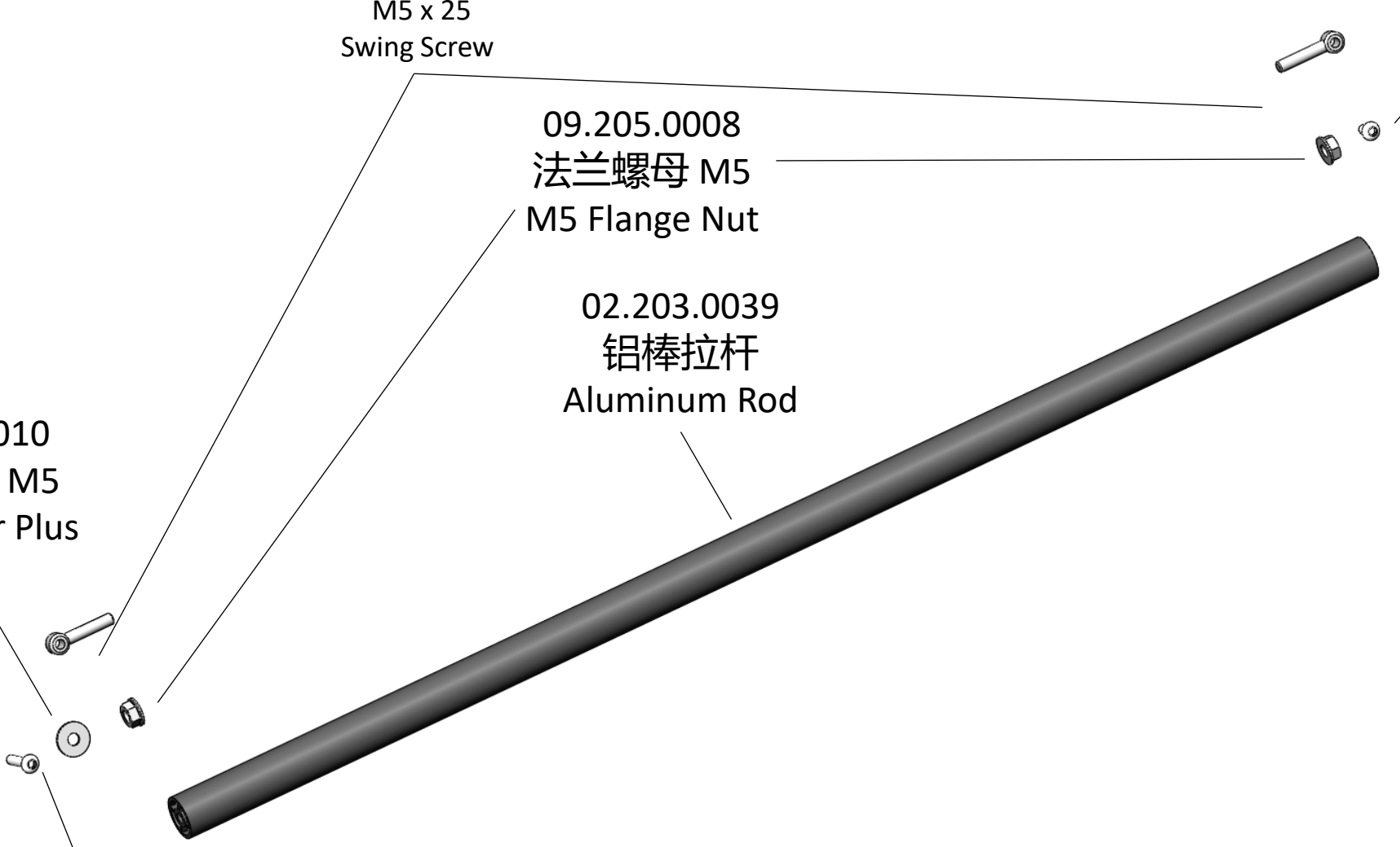
09.202.0018
内六角半圆头螺钉 M4*8
M4 x 8 Hex Socket Screws, Half Round

09.205.0008
法兰螺母 M5
M5 Flange Nut

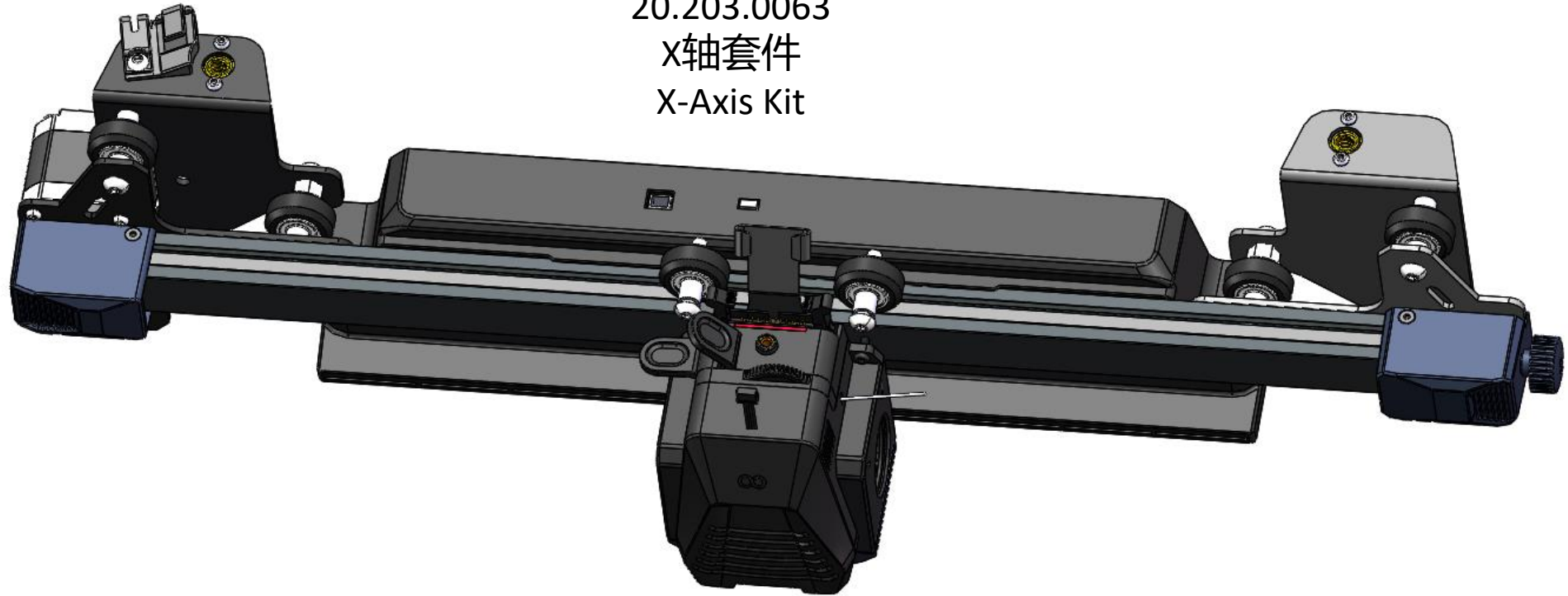
02.203.0039
铝棒拉杆
Aluminum Rod

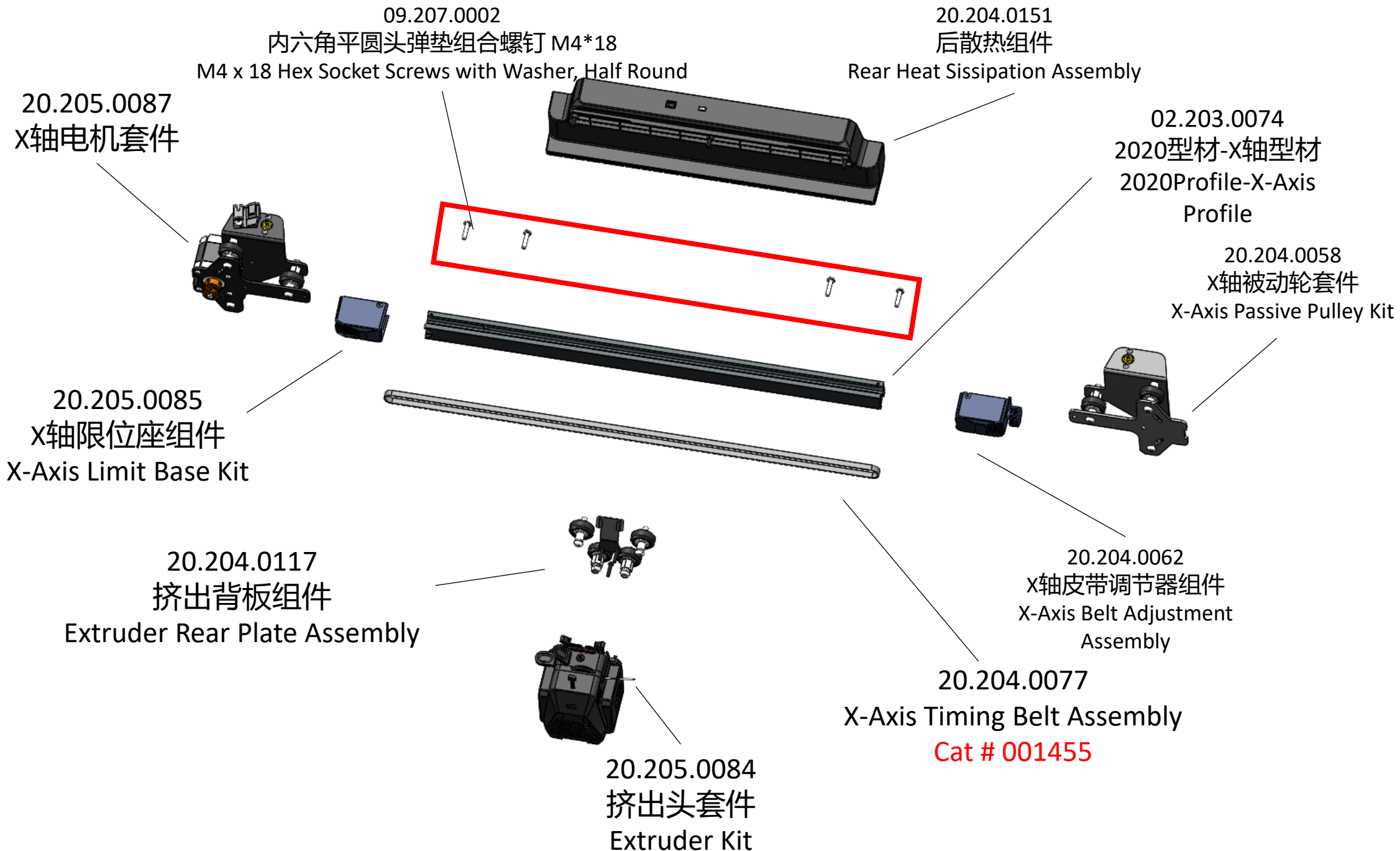
09.204.0010
加大平垫 M5
M5 Washer Plus

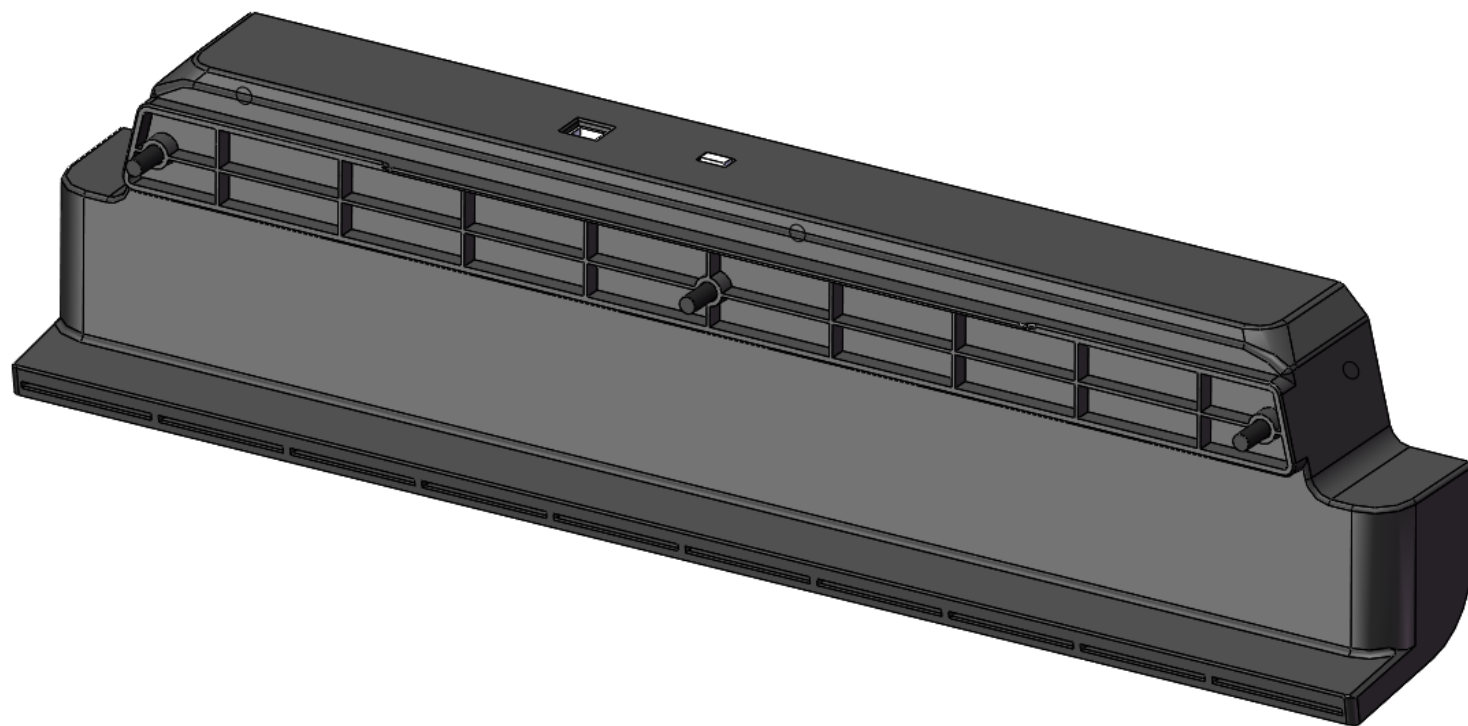
09.202.0020
内六角半圆头螺钉 M4*20
M4 x 20 Hex Socket Screws, Half Round



20.203.0063
x轴套件
X-Axis Kit







20.204.0151
后散热组件
Rear Heat Sissipation Assembly

01.201.0033
风扇转接板
Fan Adapter Board

04.203.0019
6025 Blower Fan
Cat # 001426

05.209.0029
泡棉垫圈
Foam Gasket

05.201.0136
后散热外壳-Plus
Rear Heat Sissipation Housing-Plus

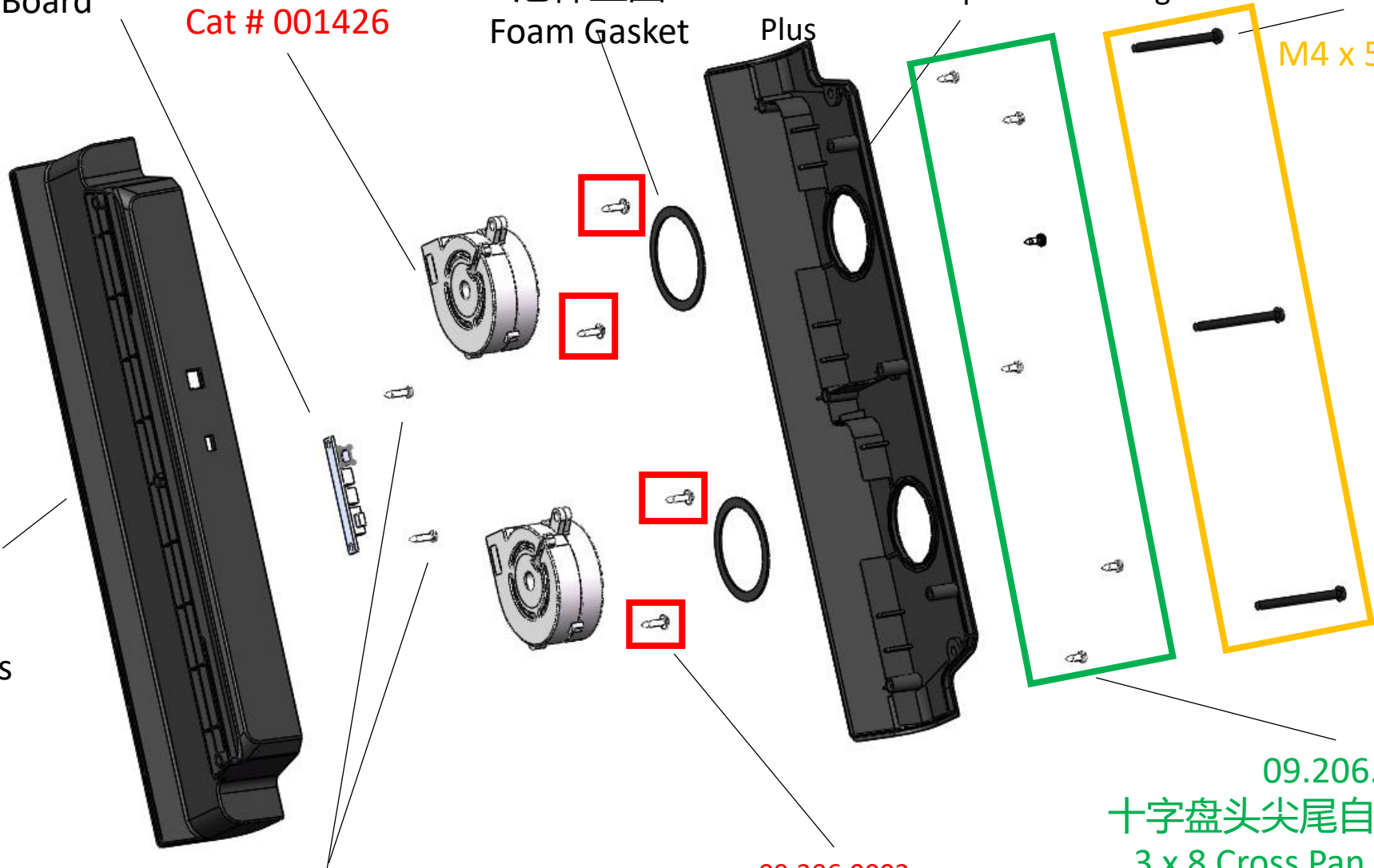
09.202.0042
内六角半圆头螺钉
M4*50
M4 x 50 Hex Socket Half Round Head

05.201.0135
后散热底座-Plus
Rear Heat Sissipation Base-Plus

09.206.0024
十字圆头带垫自攻螺钉/PWA 3*12
3*12 Cross Pan Head Tapping Screws with Washer

09.206.0002
十字盘头尖尾自攻螺钉/PA 3*12
3 x 12 Cross Pan Head Tapping Screws with Sharp End

09.206.0003
十字盘头尖尾自攻螺钉/PA 3*8
3 x 8 Cross Pan Head Tapping Screws with Sharp End





20.205.0084
挤出头套件
Extruder Kit
Cat # 001645

09.202.0002
内六角半圆头螺钉 M3*16
M3 x 16 Hex Socket Screws, Half Round

05.205.0006
PTFE管-淡蓝色
PTFE Tube-light Blue

20.205.0073
齿轮箱套件
Gearbox Kit

01.201.0032
Extruder Adapter
Cat # 001403

05.201.0102
挤出头外壳-NEP4
Extruder Housing-NEP4

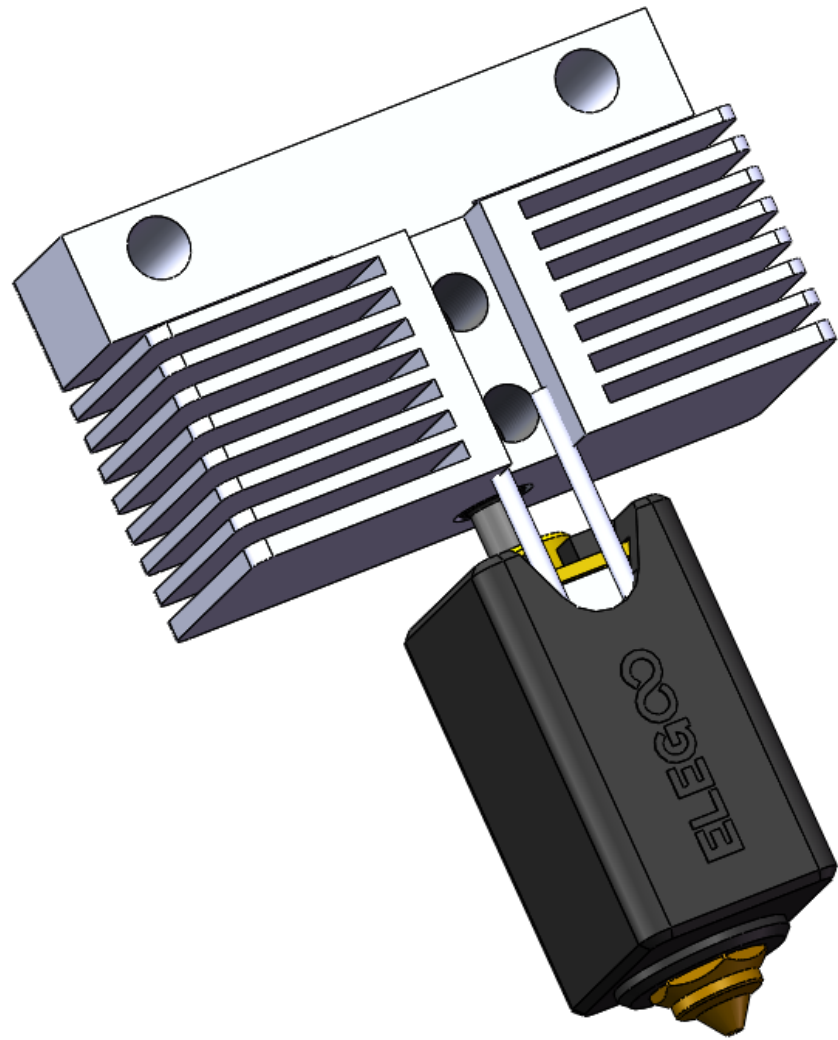
20.206.0032
Cat # 001646
Nozzle Kit

09.202.0040
十字半圆头螺钉 M2*4
M2 x 4 Hex Socket Screws, Half Round

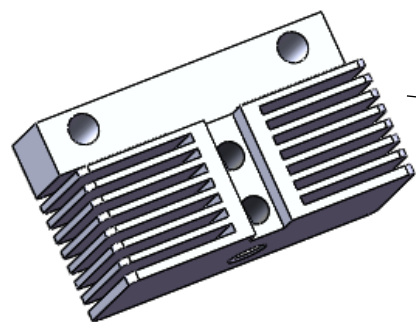
09.202.0012
内六角半圆头螺钉 M3*8
M3 x 8 Hex Socket Screws, Half Round

20.205.0074
挤出风扇组件
Extruder Fan Assembly



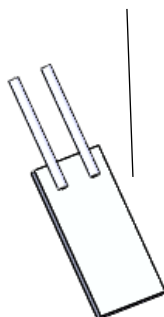


20.206.0032
Cat # 001646
Nozzle Kit

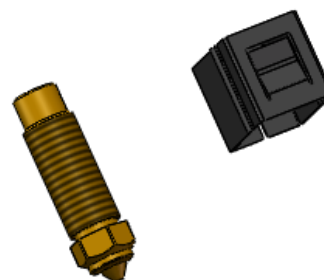


02.206.0007
散热块
Heat Dissipation Block

04.210.0013
Ceramic Heating Plates
Cat # 001435



02.208.0005
喉管加热块组合件
Pipe Heating Block
Assembly

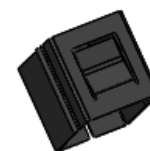


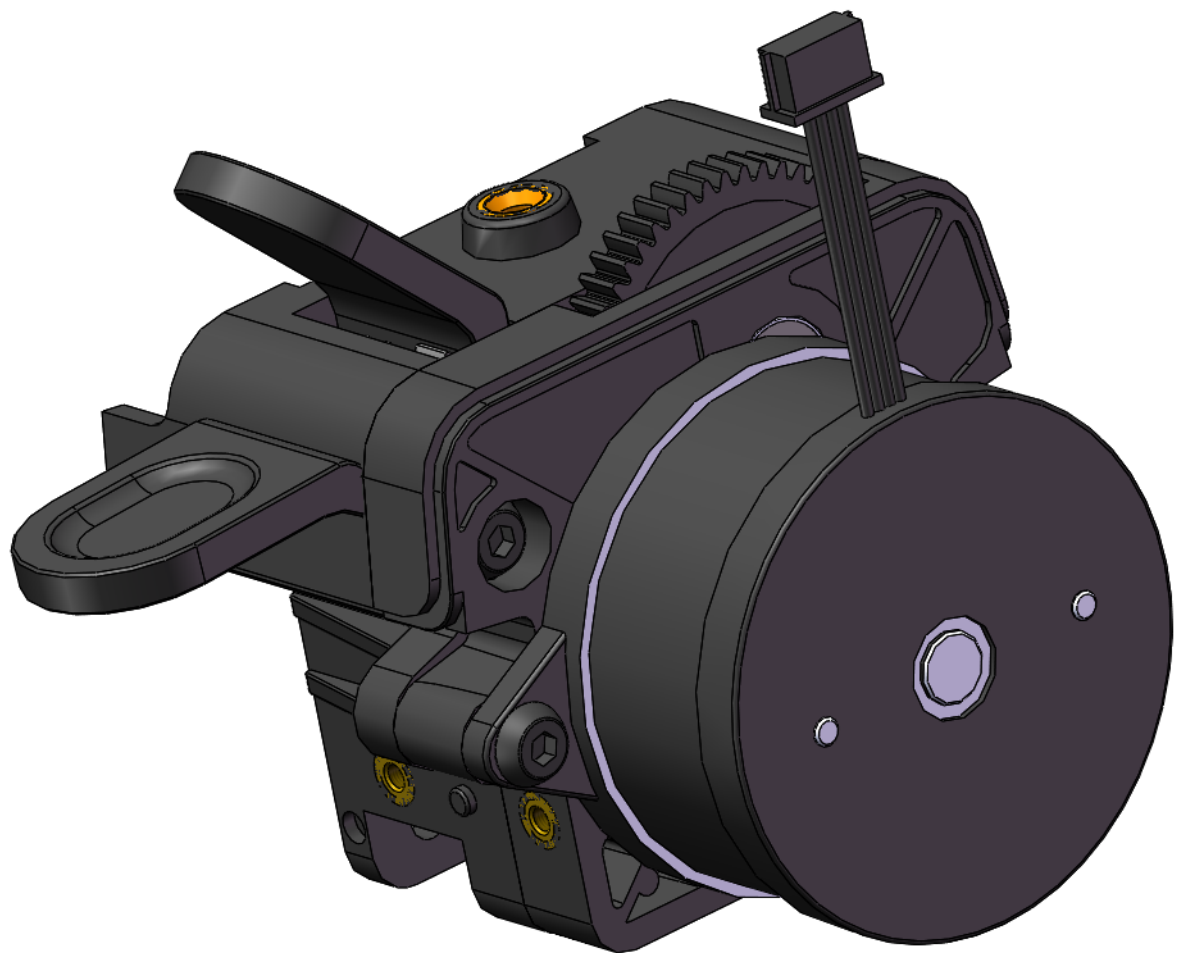
02.207.0010
High-Speed Nozzle
Cat # 001408



05.209.0027
硅胶套-NEP4MAX
Silicone Case

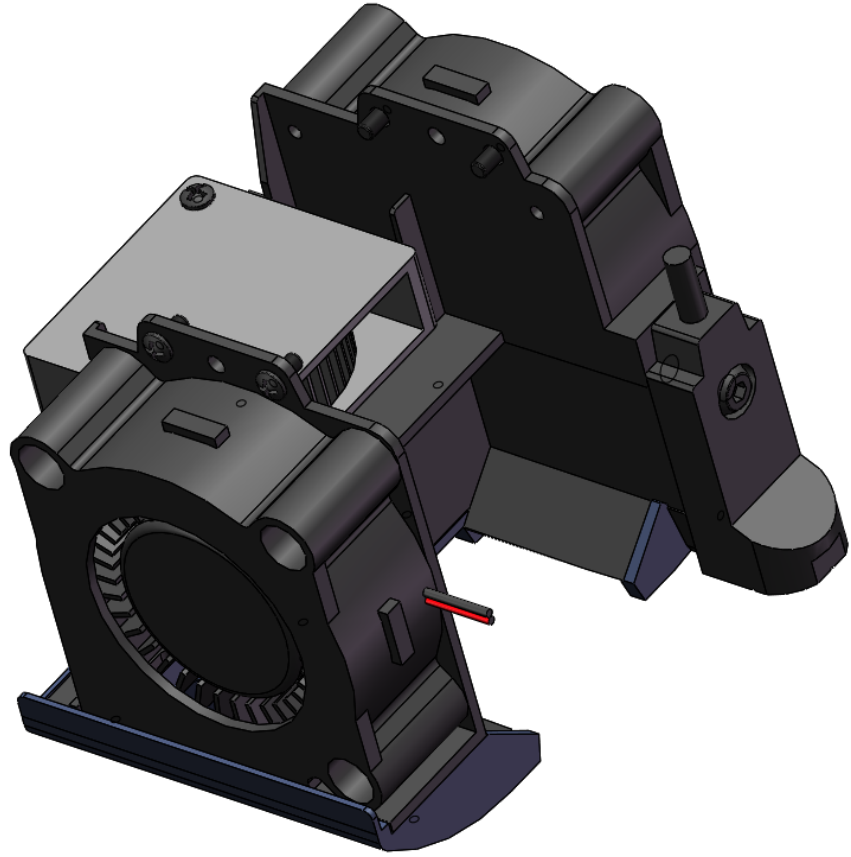
03.203.0008
加热片卡环
Heating Plate Ring





20.205.0073
齿轮箱套件
Gearbox Kit





20.205.0074
挤出风扇组件
Extruder Fan Assembly

09.206.0017
十字盘头尖尾自攻螺钉/PA 2*8
2 x 8 Cross Pan Head Tapping
Screws with Sharp End
2 x 8 Cross Pan Head Tapping
Screws with Sharp End

04.203.0014
3010 Blower Fan
Cat # 001423

05.201.0103
挤出风扇架
Extruder Fan Holder

09.202.0040
十字半圆头螺钉 M2*4
3 x 8 Cross Screws, Half
Round

04.203.0015
4015 Blower Fan
Cat # 001424

*固定风扇的螺丝型号是

09.206.0013
十字半圆头带垫片尖尾自攻螺丝/PA 2*10
The screw securing the fan is 2 x 10 Half
Round Tapping Screws with Washer and
Sharp End

06.209.0009
挤出灯板
Extruder Light
Board

05.201.0108
挤出灯罩
Extruder Cover

04.203.0015
4015 Blower Fan
Cat # 001424

04.202.0015
Proximity Switch
Cat # 001421

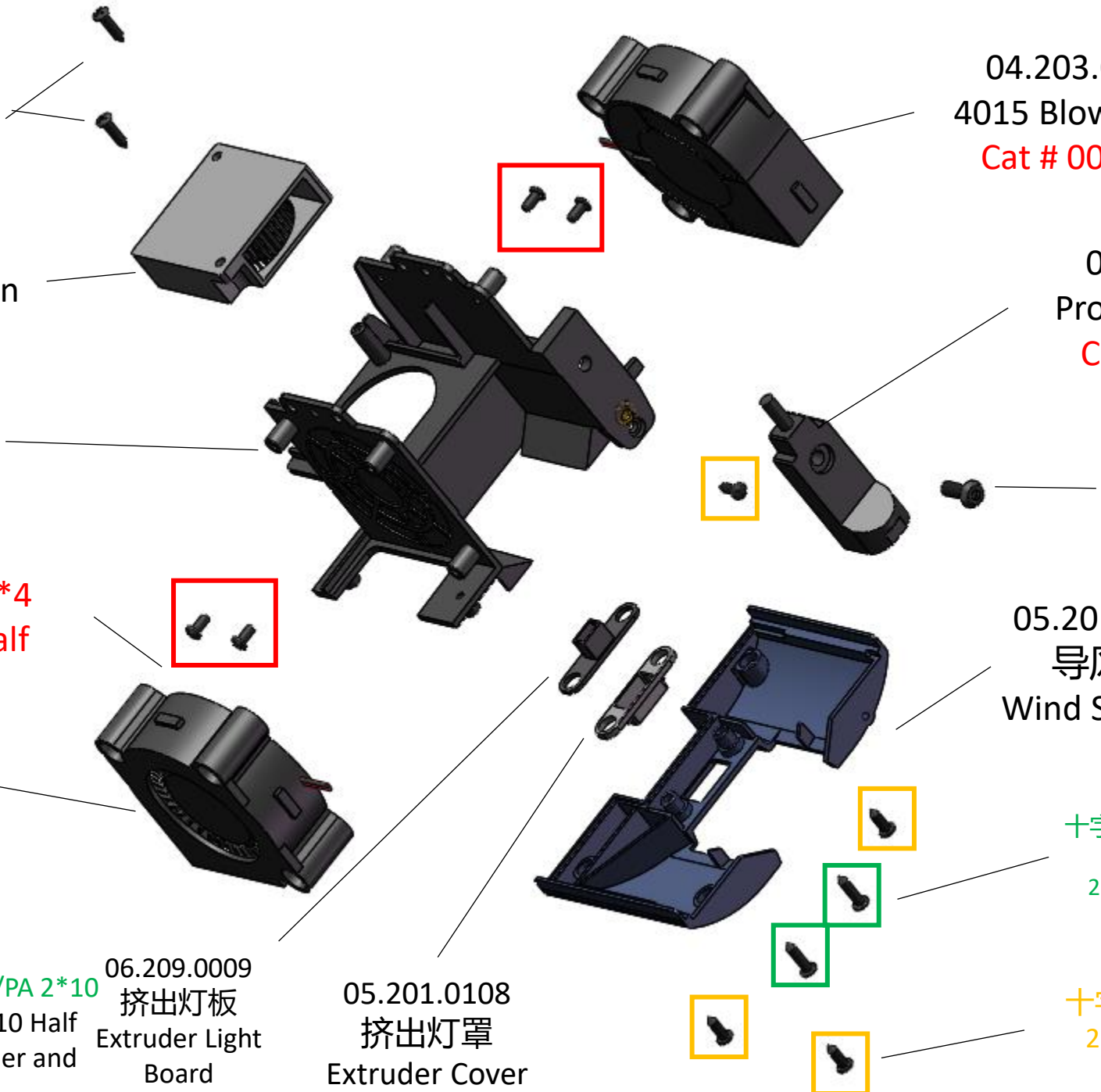
09.202.0012
内六角半圆头螺钉
M3*8

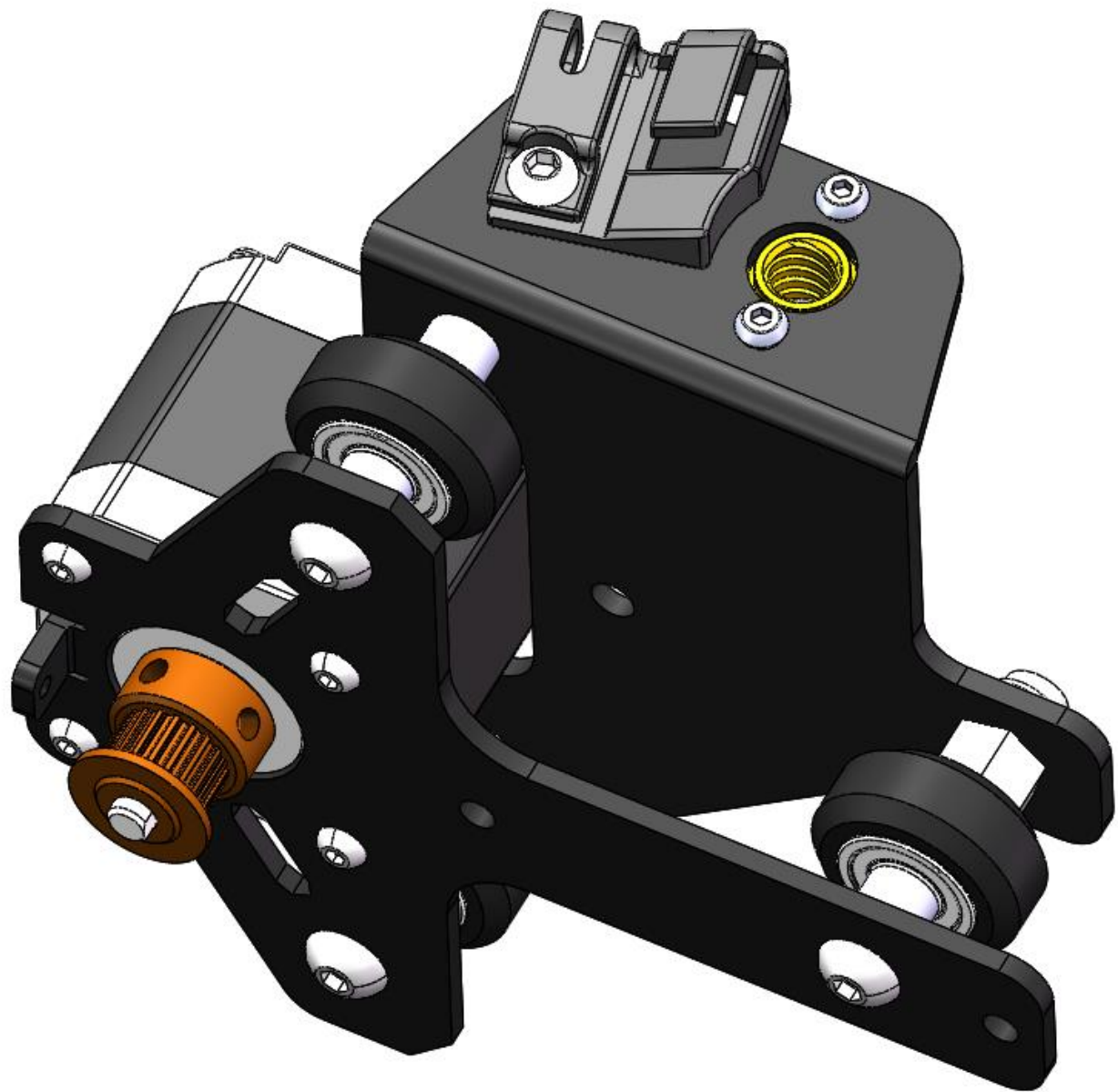
M3 x 8 Hex Socket Screws,
Half Round

05.201.0104
导风件
Wind Scooper

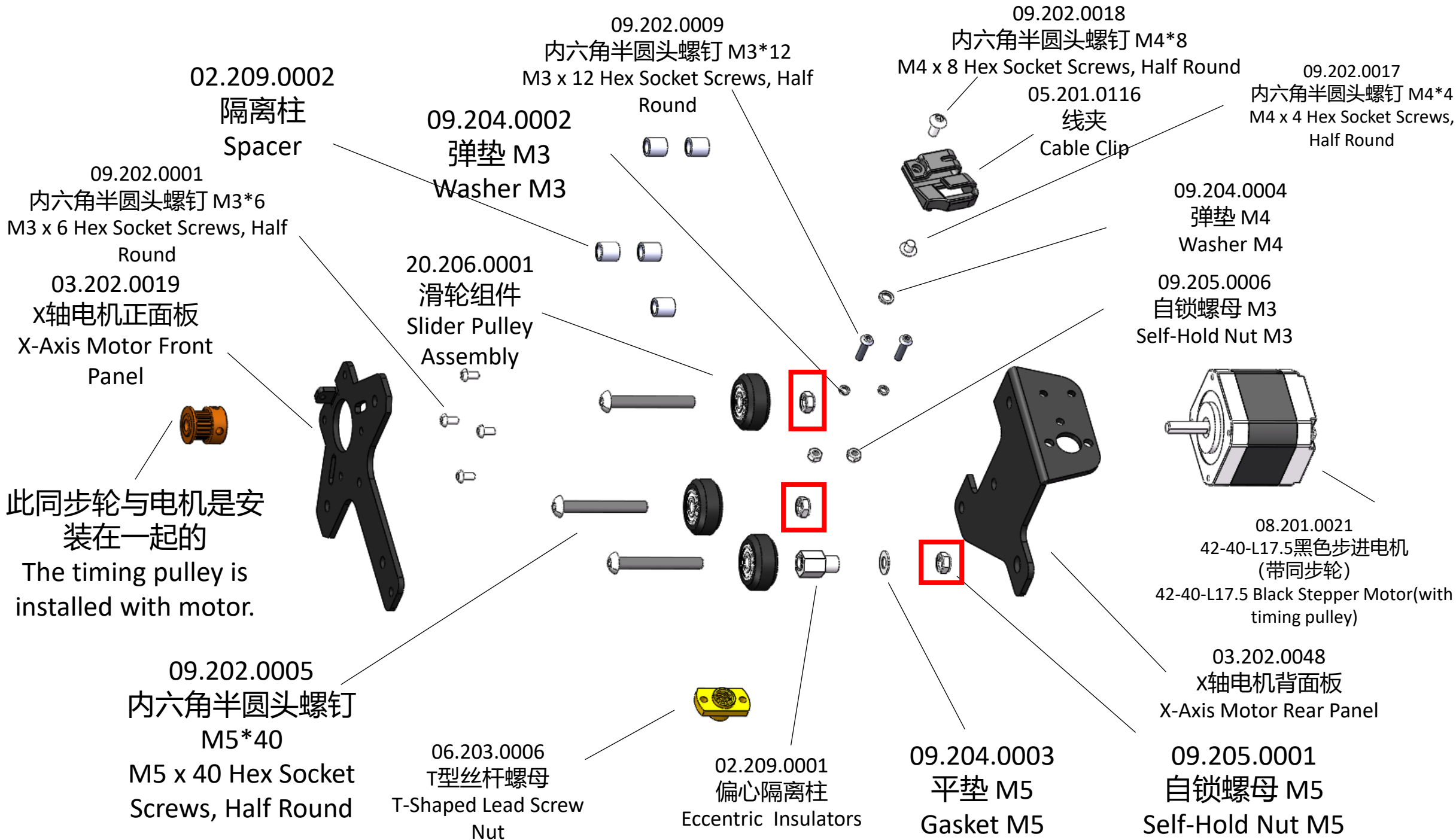
09.206.0013
十字半圆头带垫片尖尾自攻螺丝/PA
2*10
2 x 10 Half Round Tapping Screws
with Washer and Sharp End

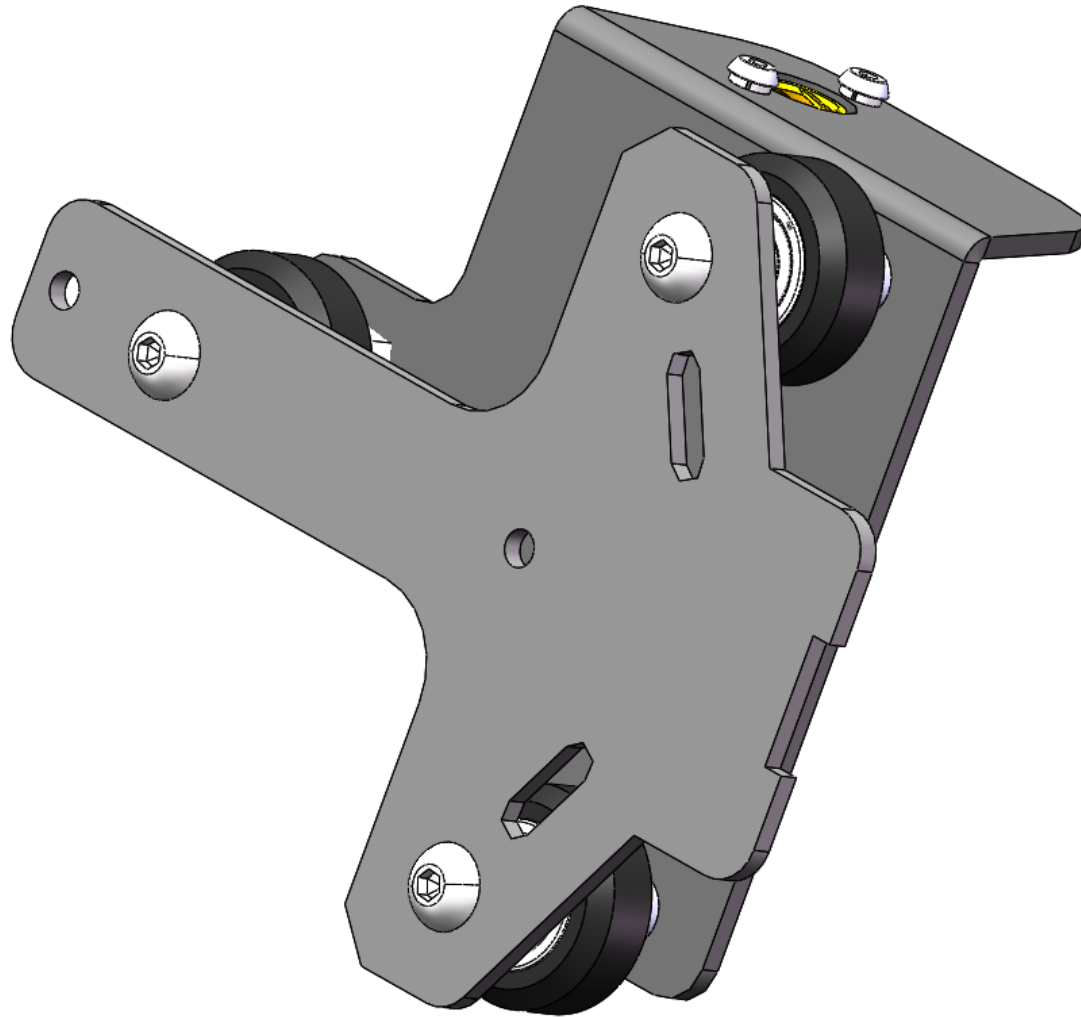
09.206.0010
十字盘头尖尾自攻螺钉/PA 2*6
2 x 6 Cross Pan Head Tapping
Screws with Sharp End



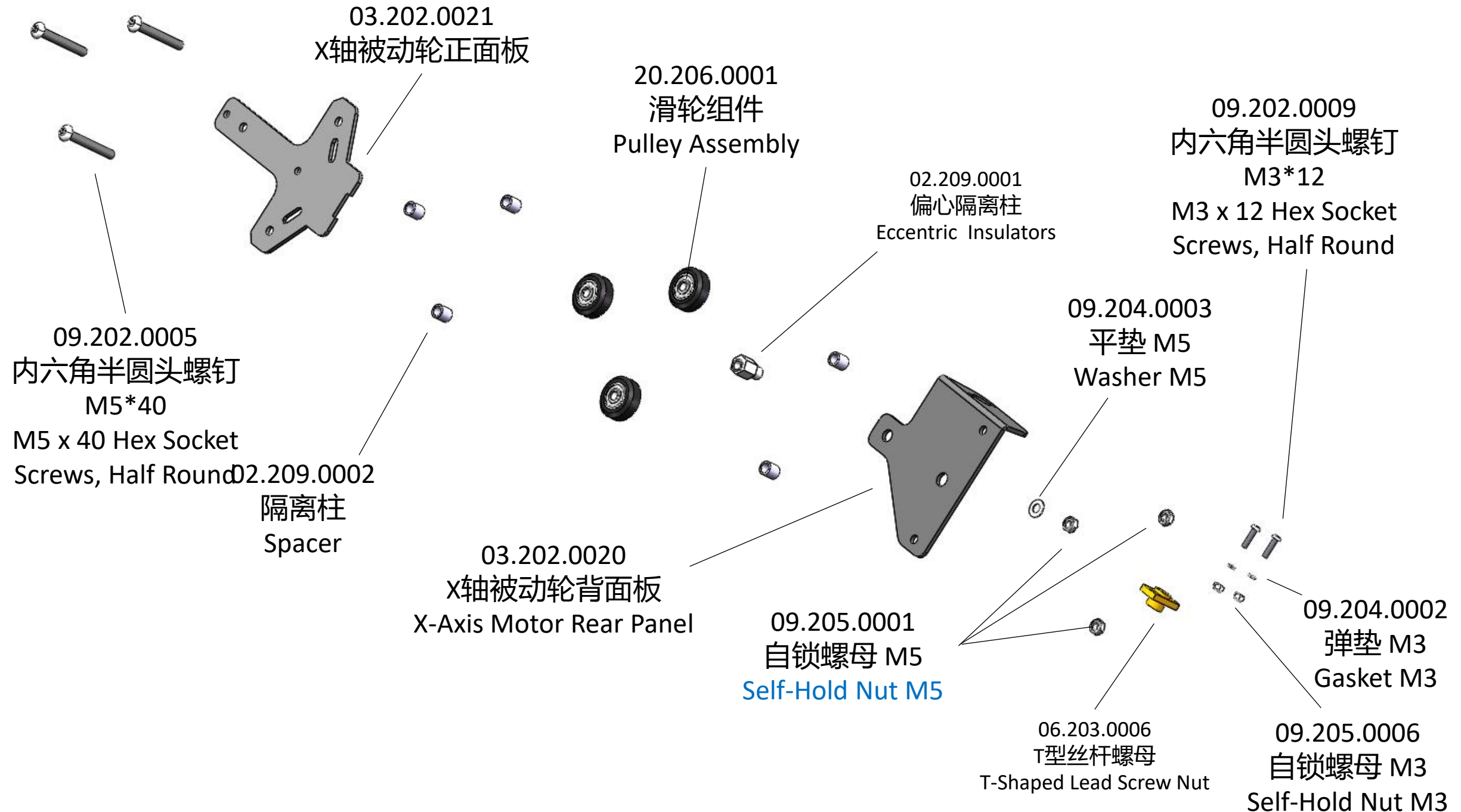


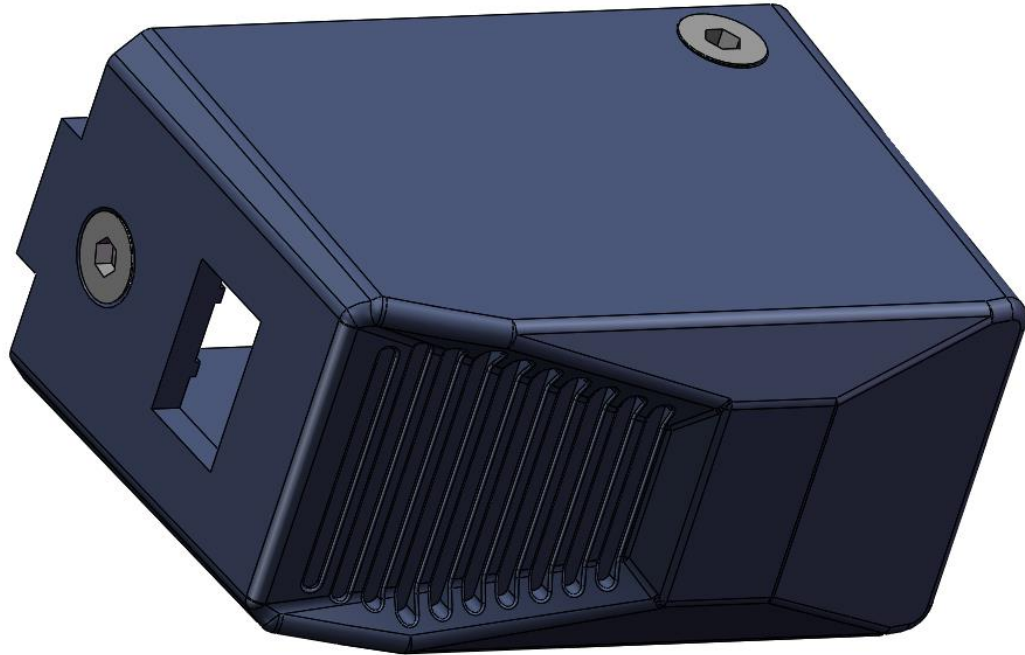
20.205.0087
X轴电机套件
X-Axis Motor Kit





20.204.0058
X轴被动轮套件
X-Axis Passive Pulley Kit

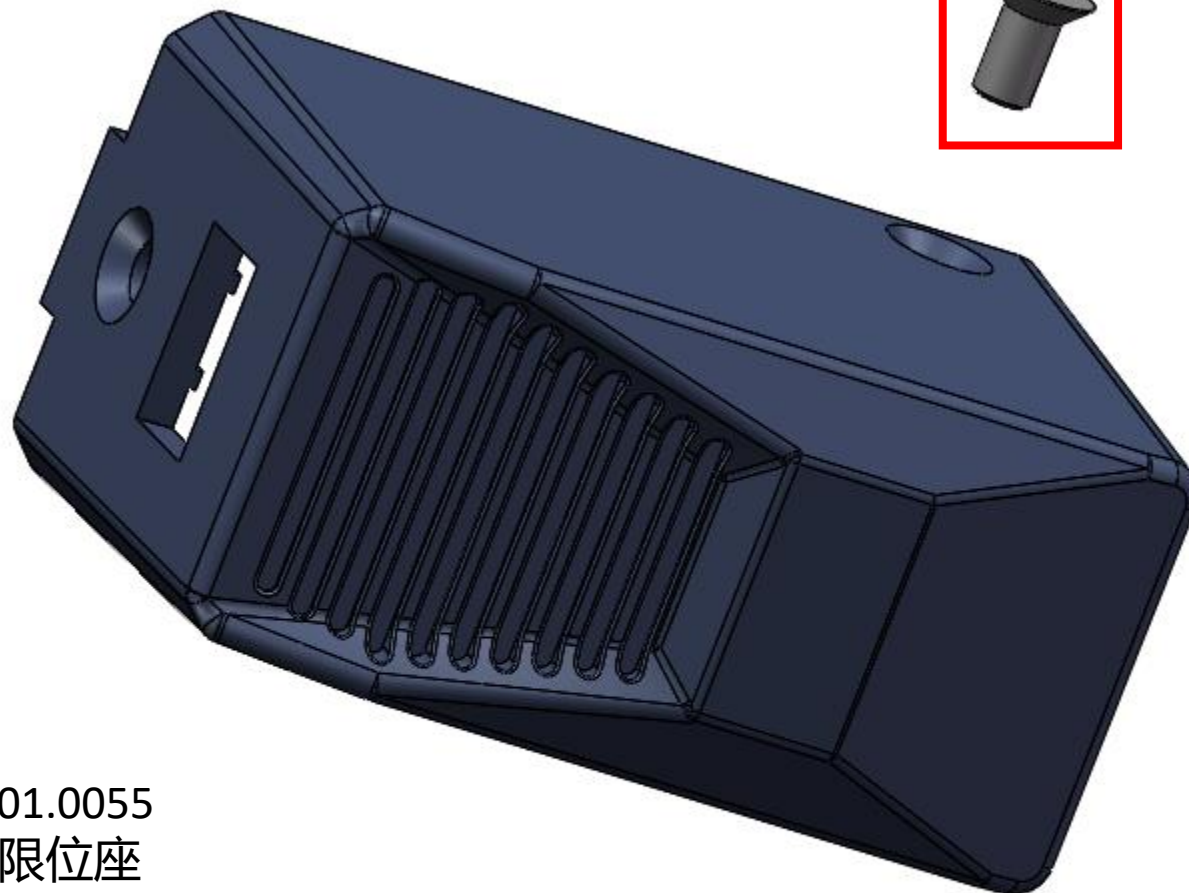




20.205.0085
x轴限位座组件
X-Axis Limit Base Assembly

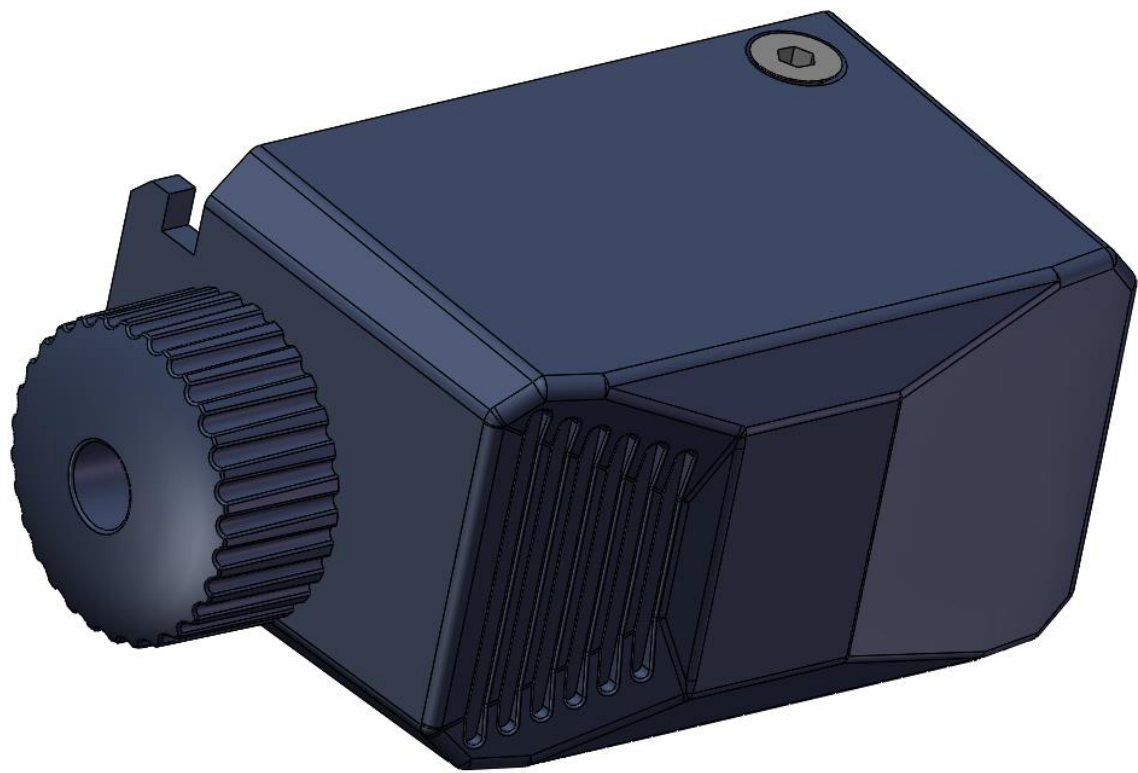


09.201.0011
内六角沉头螺钉 M3*6
M3 x 6 Hex Socket
Countersunk Head Screw



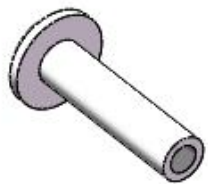
05.201.0055
x轴限位座
X-Axis Limit Base



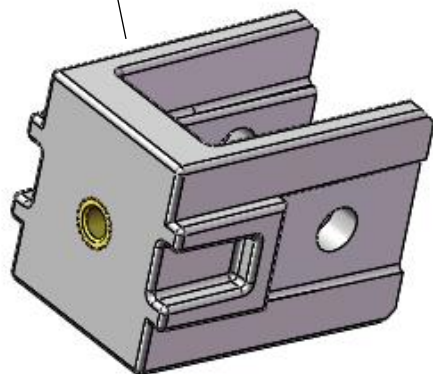


20.204.0062
x轴皮带调节器组件
X-Axis Belt Adjustment
Assembly

09.212.0002
相册螺钉 M4*16母钉
M4 x 16 Mating Screw
Main Screw



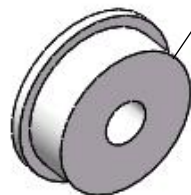
05.201.0071
被动滑块
Passive Slide Block



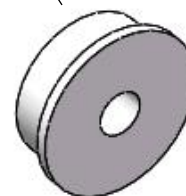
05.201.0080
手拧螺母-D20
Knurled Nut-D20



06.201.0002
F624ZZ轴承
F624ZZ Bearing

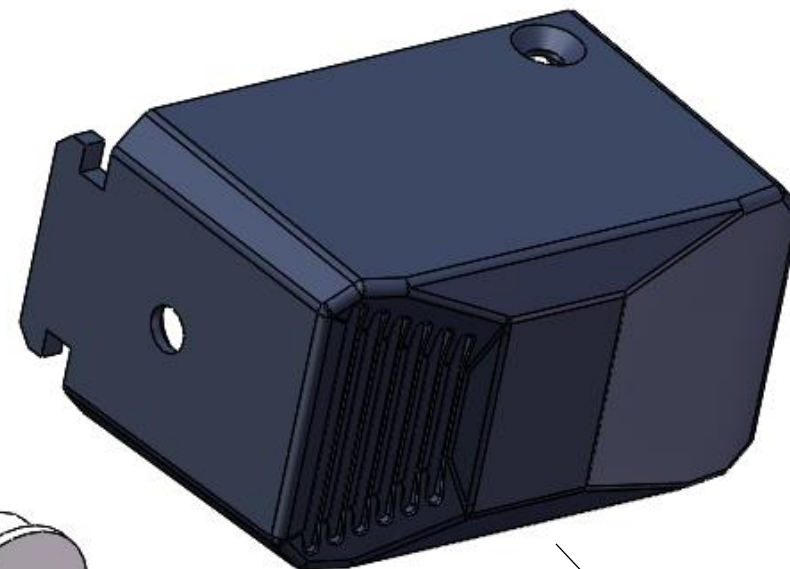


09.203.0013
内六角圆柱头螺钉 M3*20
M3 x 20 Hex Socket Screws,
Domed Head

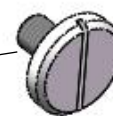


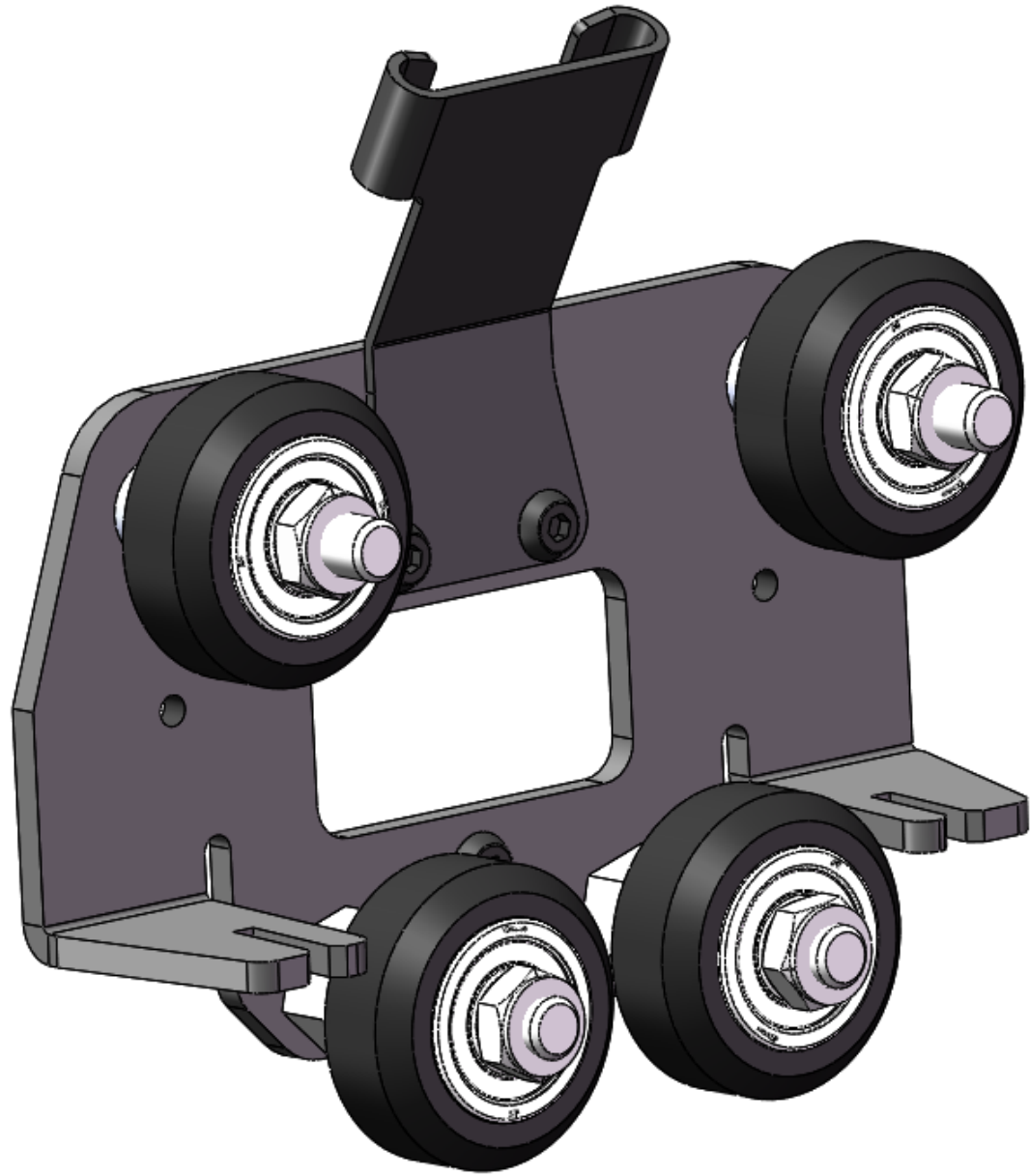
09.212.0004
相册螺钉 M4子钉
M4 x 16 Mating Screw Child Screw

09.201.0011
内六角沉头螺钉 M3*6
M4 x 16 Hex Socket
Screws, Half Round

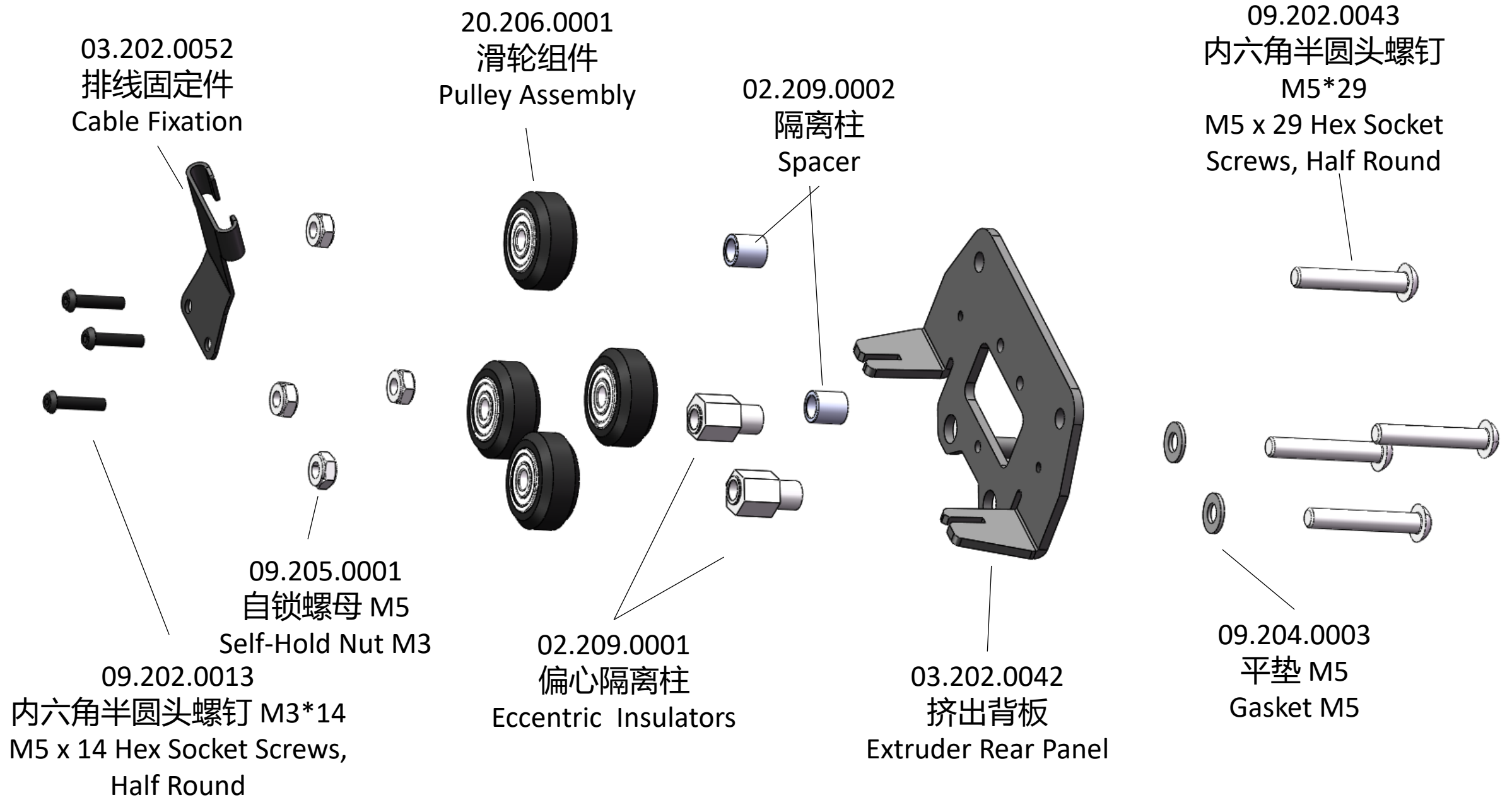


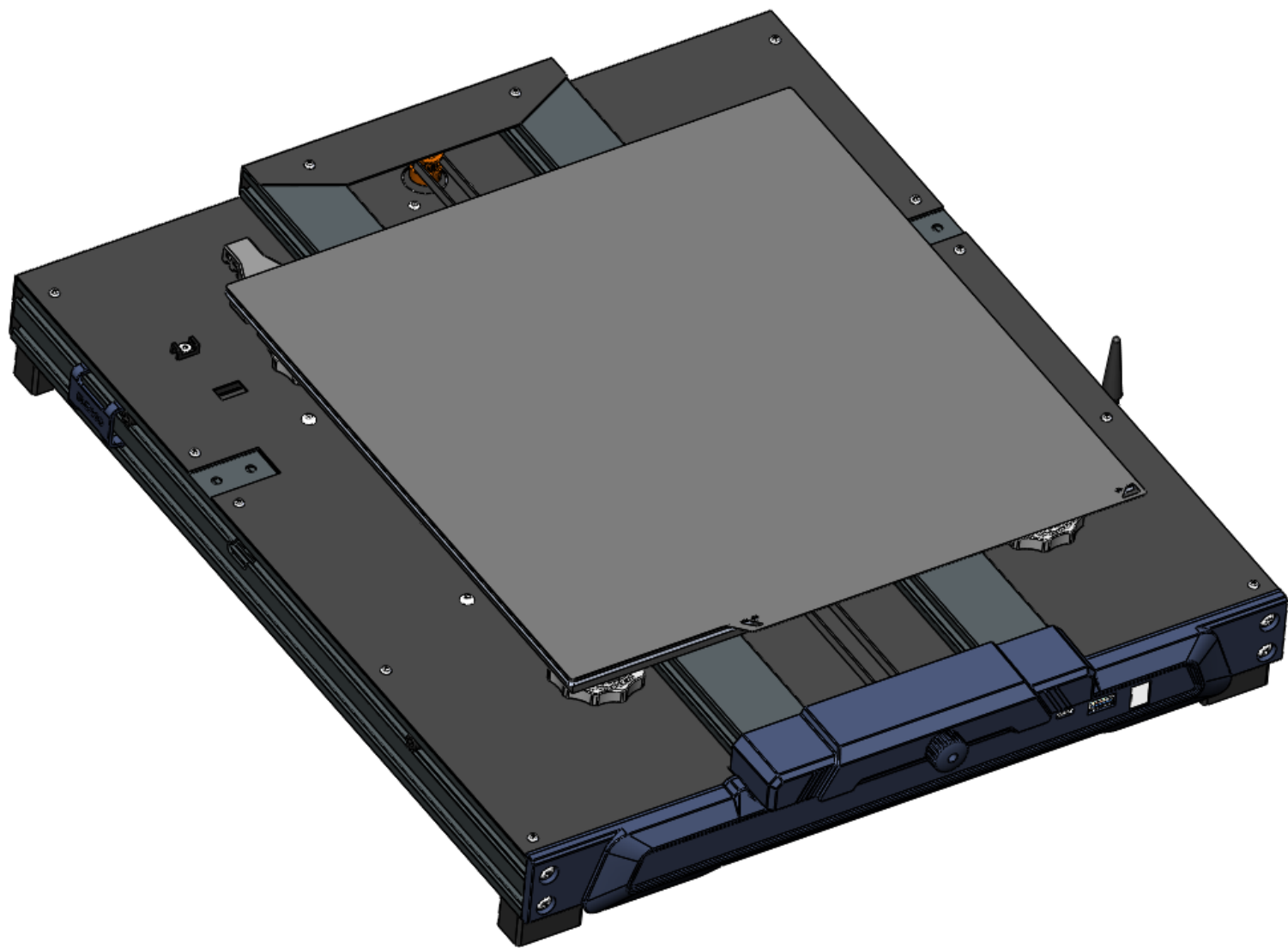
05.201.0056
X轴皮带张紧器外壳
Housing of the Y-axis
Belt Tensioner



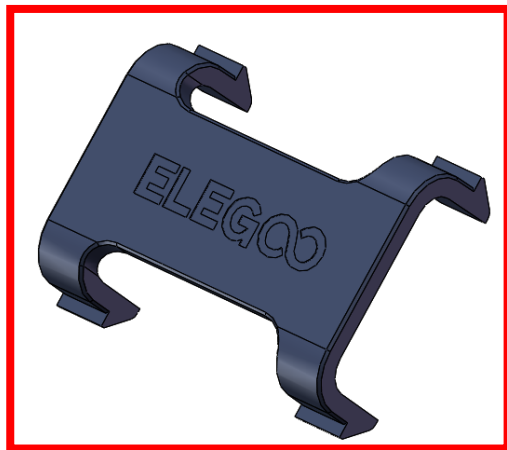


20.204.0117
挤出背板组件
Extruder Rear Panel
Assembly

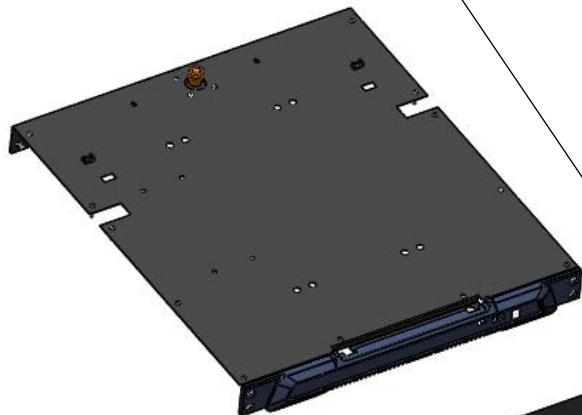




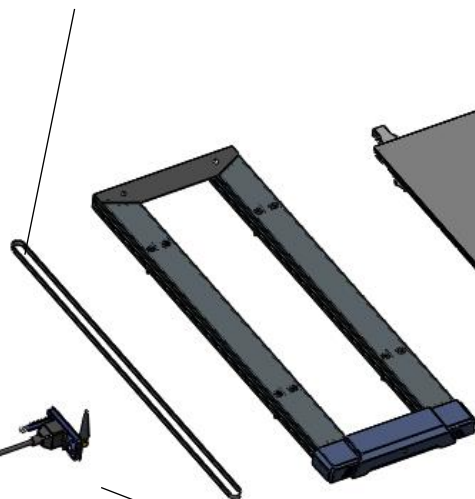
20.203.0061
底座套件
Base Kit



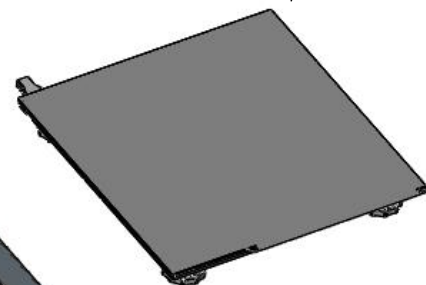
20.204.0147
开关组件
Switch Assembly



20.206.0021
Neptune 3 Plus Y
Y-Axis Timing Belt Assembly
Cat # 001470



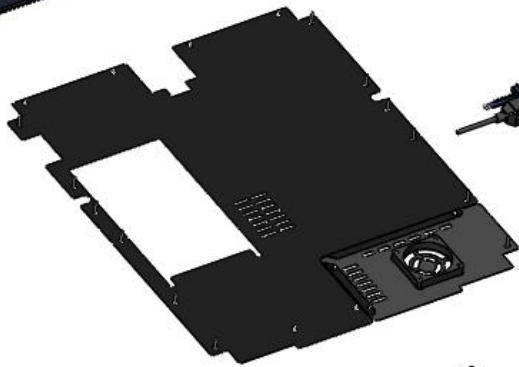
20.204.0148
底部滑块板套件
Base Slider Block Kit



05.201.0063
排线卡扣
Cable Clip



20.204.0145
底座型材套件
Base Profile Kit



20.204.0139
WIFI网口组件
WIFI LAN Assembly



04.201.0022
400W Switch Power
Cat # 001420

20.204.0071
Y轴皮带调节器组件
Y-Axis Belt Adjustment
Assembly





20.204.0145
底座型材套件
Base Profile Kit

09.207.0004

内六角圆柱头弹垫组合螺钉 M5*45

M5 x 45 Hex Socket Screws with Washer, Half Round

02.203.0076

4040型材 底座右侧型材

4040Profile Right Base

Profile

02.203.0015

2020型材-底端连接

2020Profile Base Connection

09.202.0023

内六角半圆头带垫片螺

钉 M4*20

M4 x 20 Hex Socket

Screws with Washer, Half

Round

02.203.0075

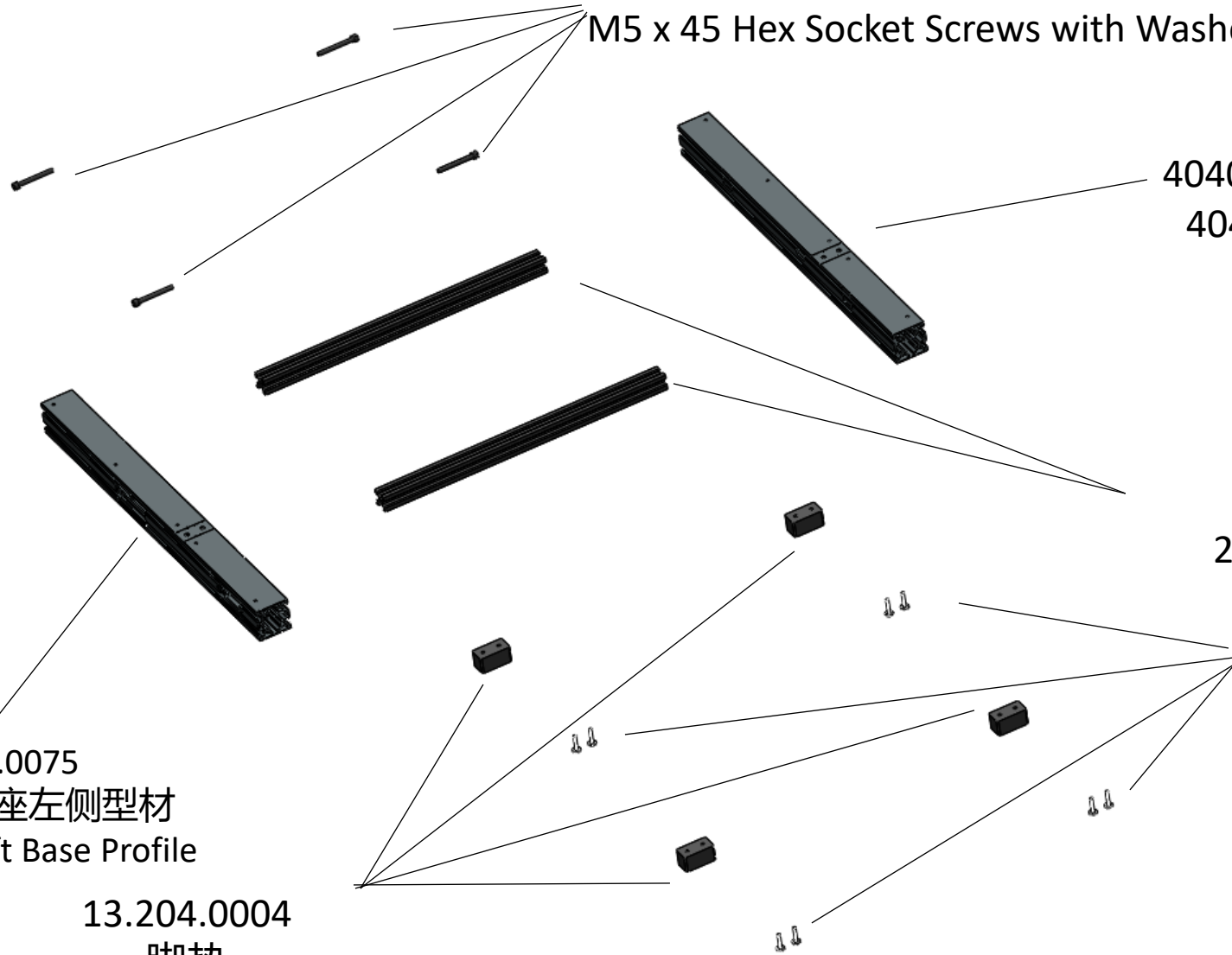
4040型材 底座左侧型材

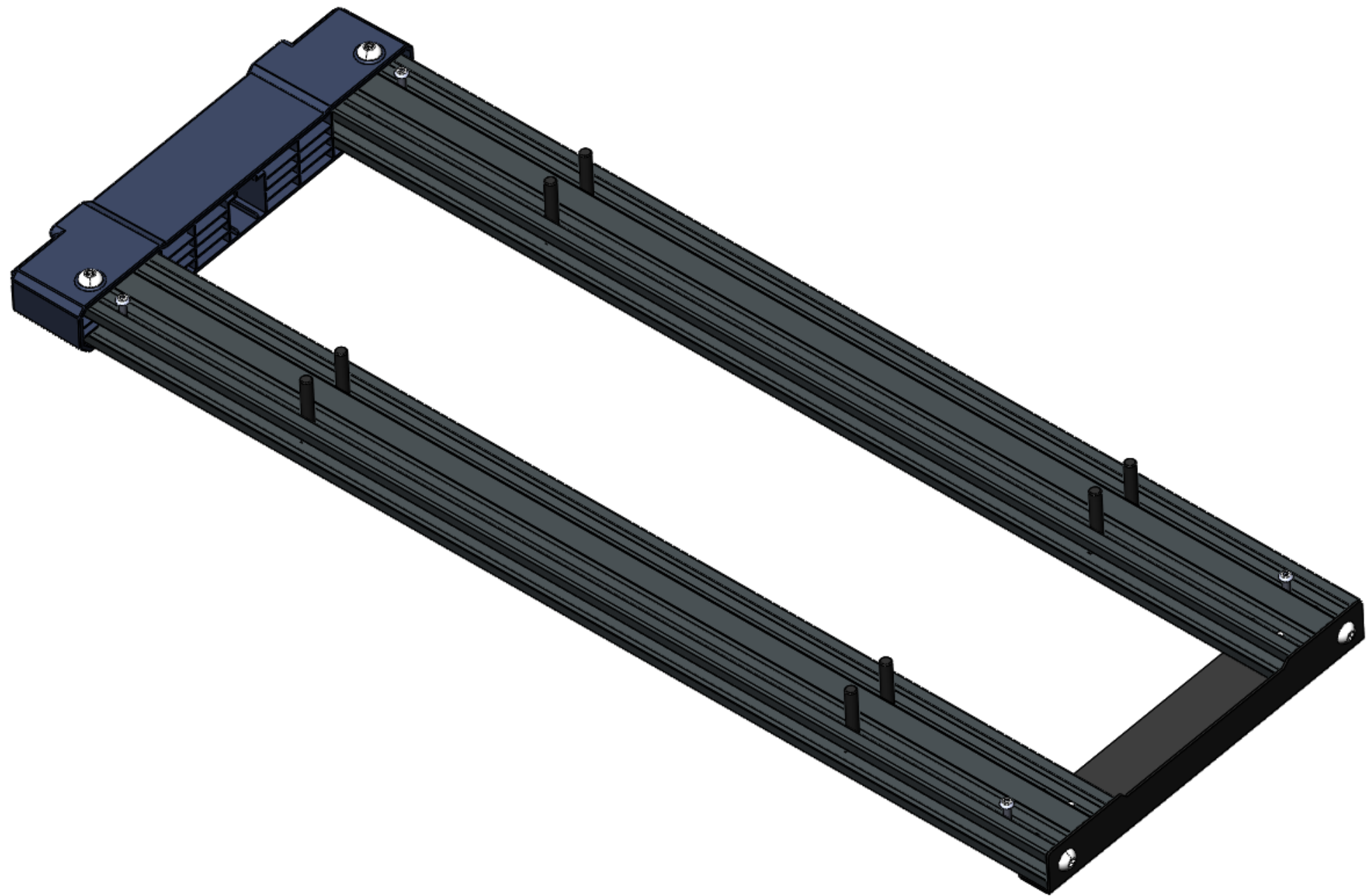
4040Profile Left Base

13.204.0004

脚垫

Foot Pad

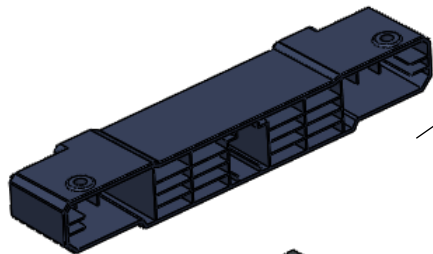




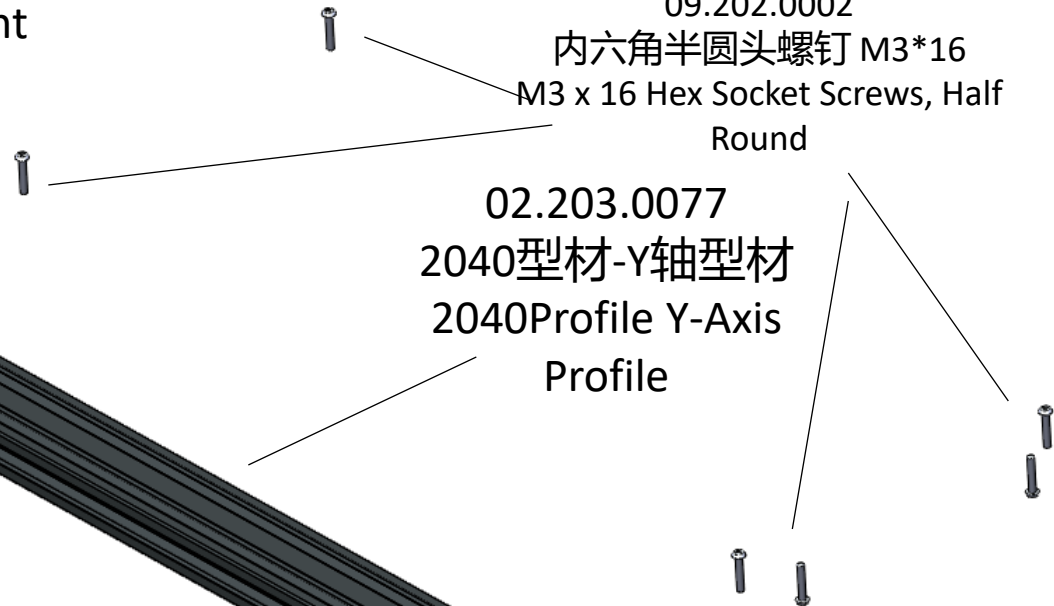
09.202.0015
内六角半圆头螺钉 M5*18
M5 x 18 Hex Socket Screws,
Half Round



05.201.0074
Y轴皮带调节装饰件
Y-Axis Belt Adjustment
Decoration



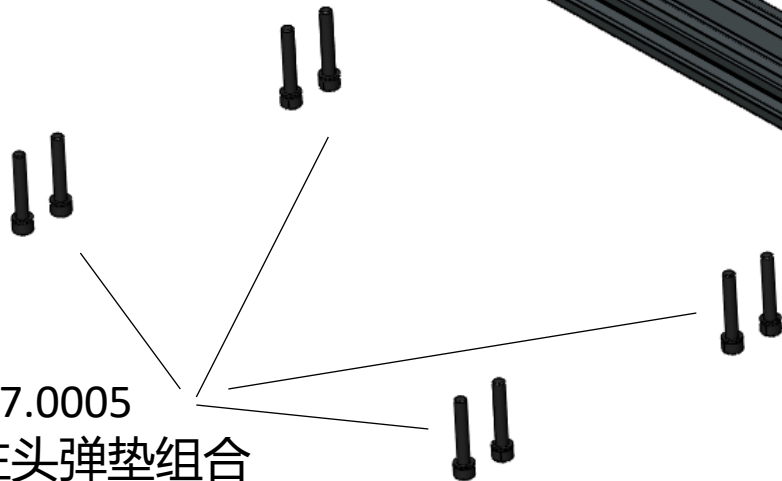
09.202.0002
内六角半圆头螺钉 M3*16
M3 x 16 Hex Socket Screws, Half
Round



02.203.0077
2040型材-Y轴型材
2040Profile Y-Axis
Profile



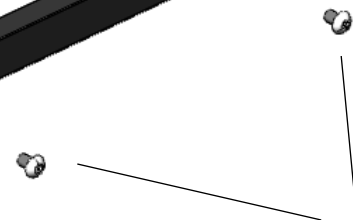
09.207.0005
内六角圆柱头弹垫组合
螺钉 M5*30
M5 x 30 Hex Socket
Washer Combination
Screws, Domed Head

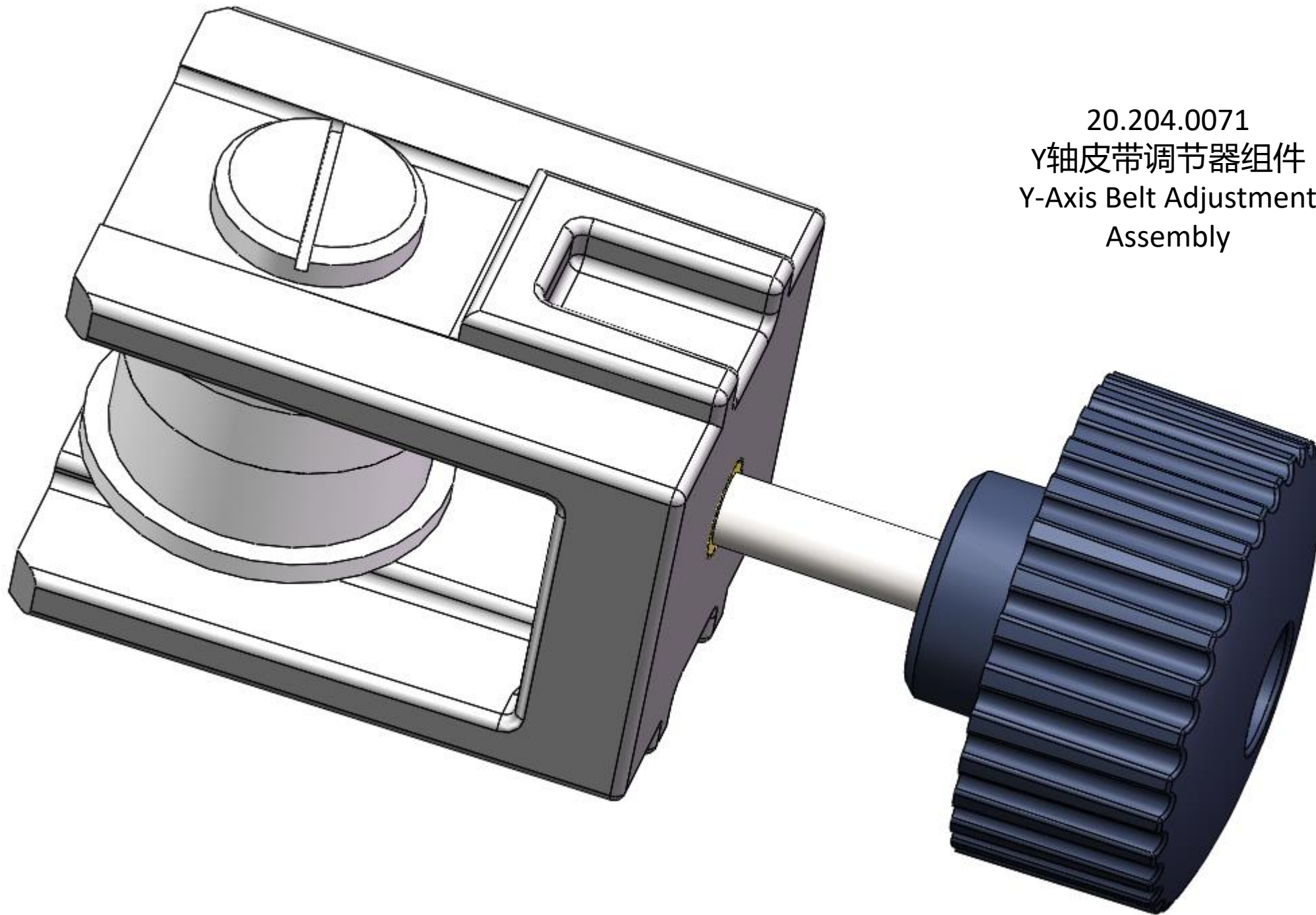


03.202.0031
Y轴后挡板
Y-Axis Rear Panel



09.202.0006
内六角半圆头螺钉 M5*8
M5 x 18 Hex Socket Screws, Half
Round



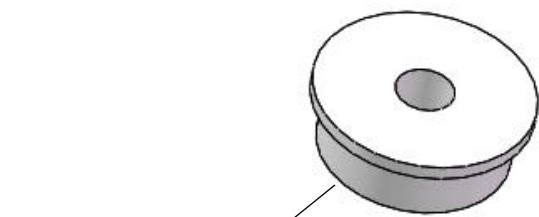


20.204.0071

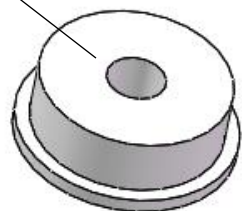
Y轴皮带调节器组件

Y-Axis Belt Adjustment

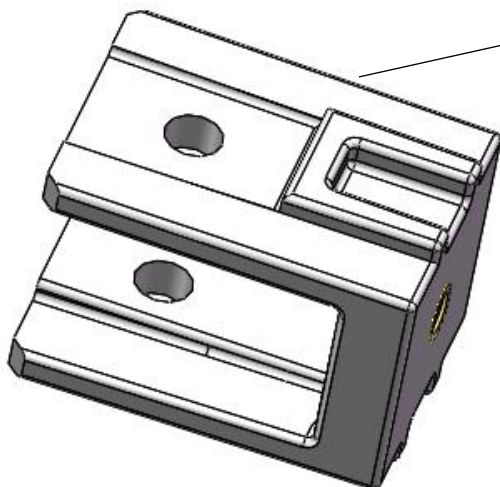
Assembly



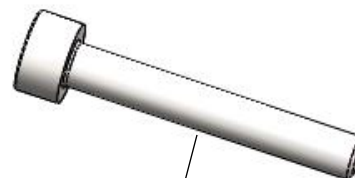
06.201.0002
F624ZZ轴承
F624ZZ Bearing



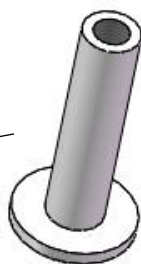
09.212.0004
相册螺钉 M4子钉
M4 x 16 Mating Screw
Child Screw



05.201.0071
被动滑块
Passive Slider



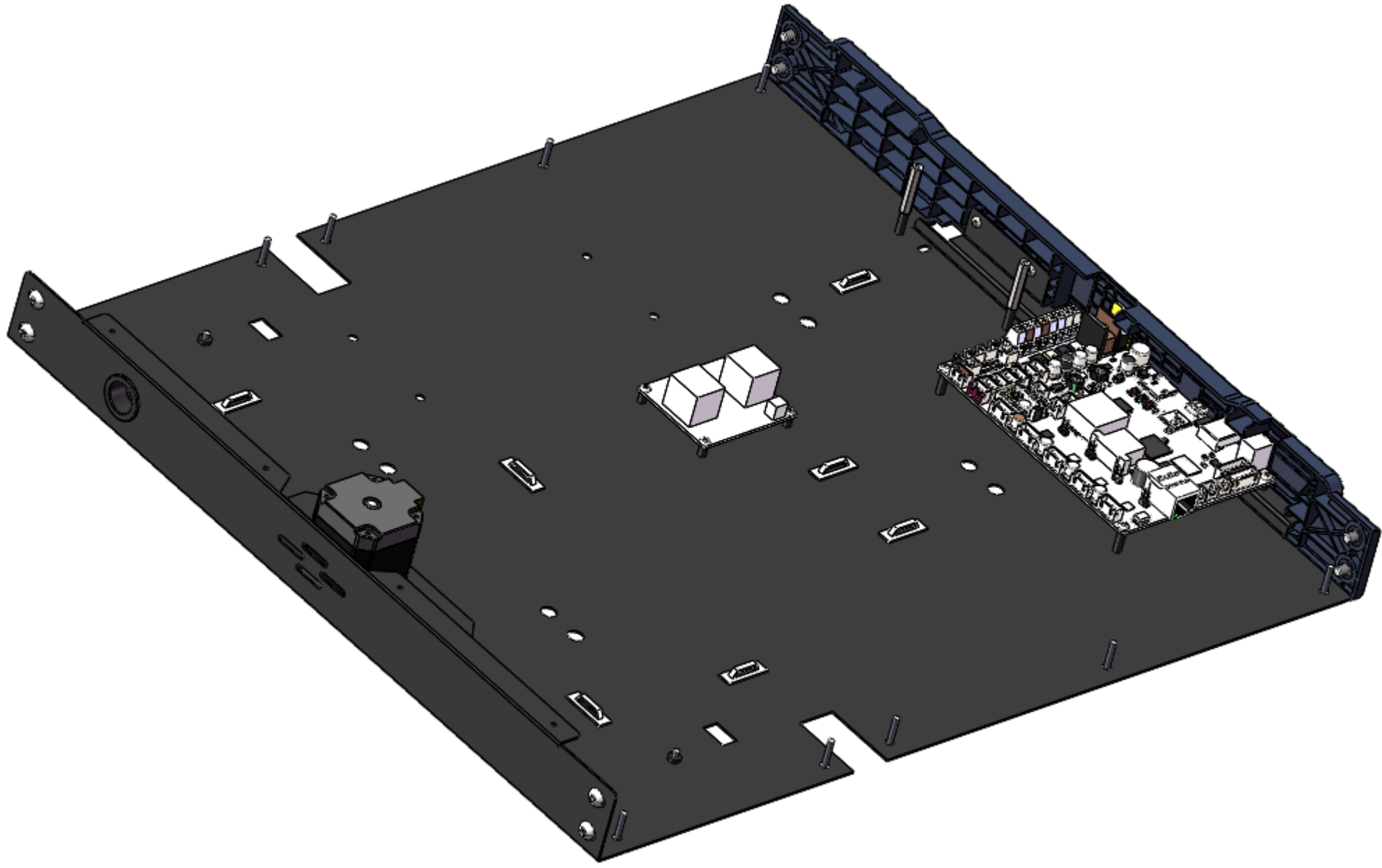
09.203.0013
内六角圆柱头螺钉 M3*20
M3 x 20 Hex Socket Screws,
Half Round



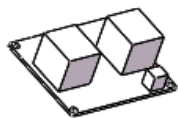
09.212.0002
相册螺钉 M4*16母钉
M4 x 16 Mating Screw
Main Screw



05.201.0080
手拧螺母-D20
Knurled Nut-D20



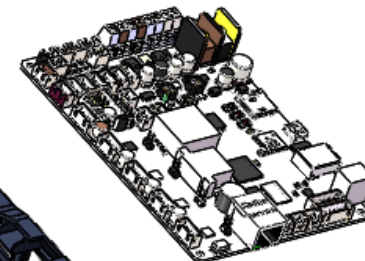
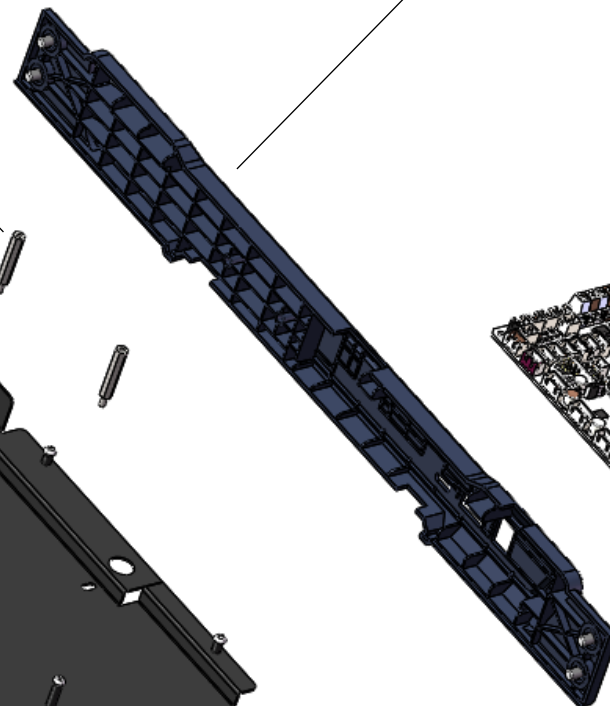
01.201.0018
热床模块
Heated Bed Module



09.208.0005
六角不锈钢螺柱
Hex Socket Stainless Nut



05.201.0128
底座前装饰件
Decration of the Front
Base

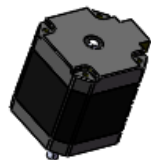


01.201.0030
Motherboard-F402 K1 V2.0
Cat # 001402

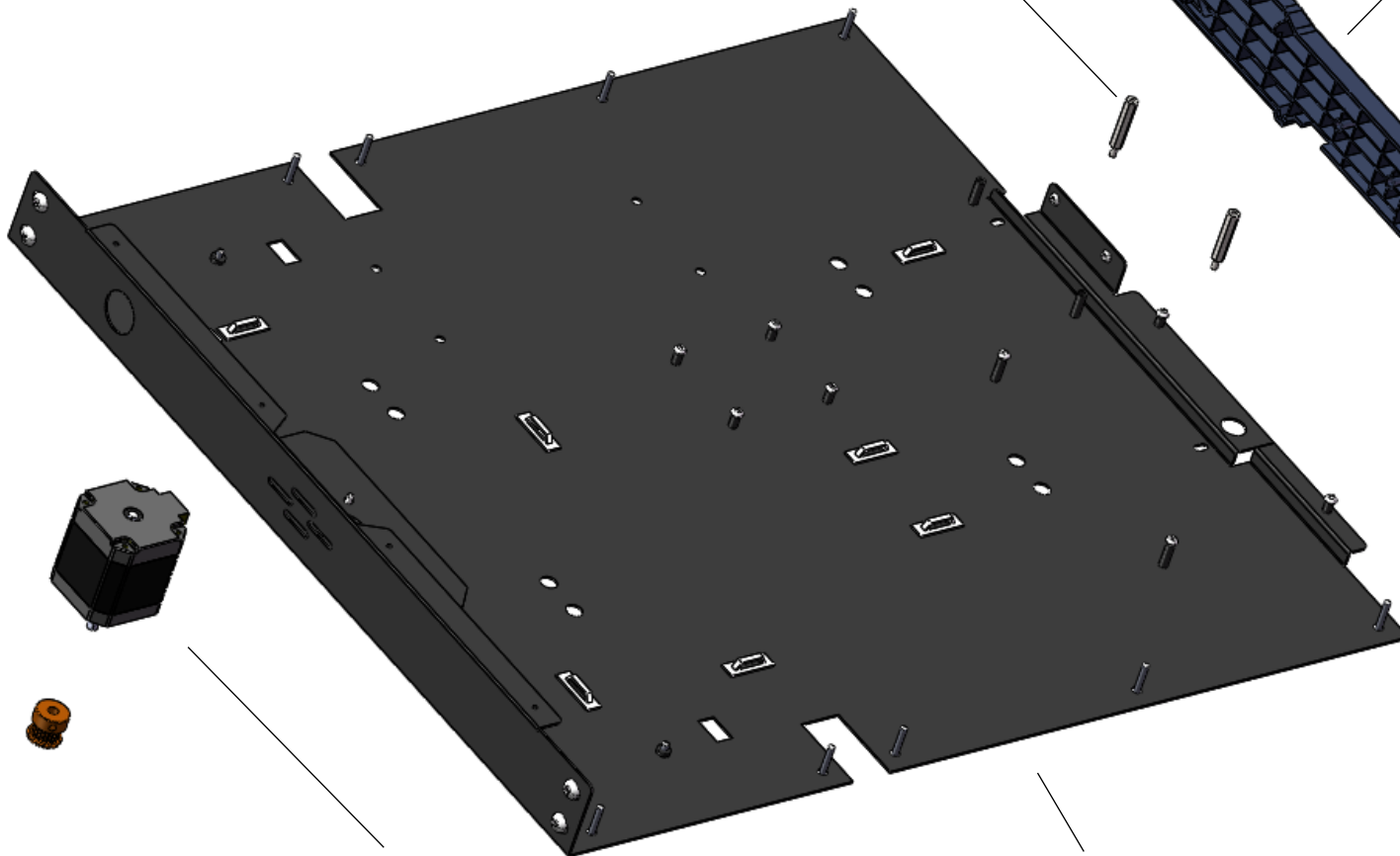
05.209.0005
护线圈
Protective Ring

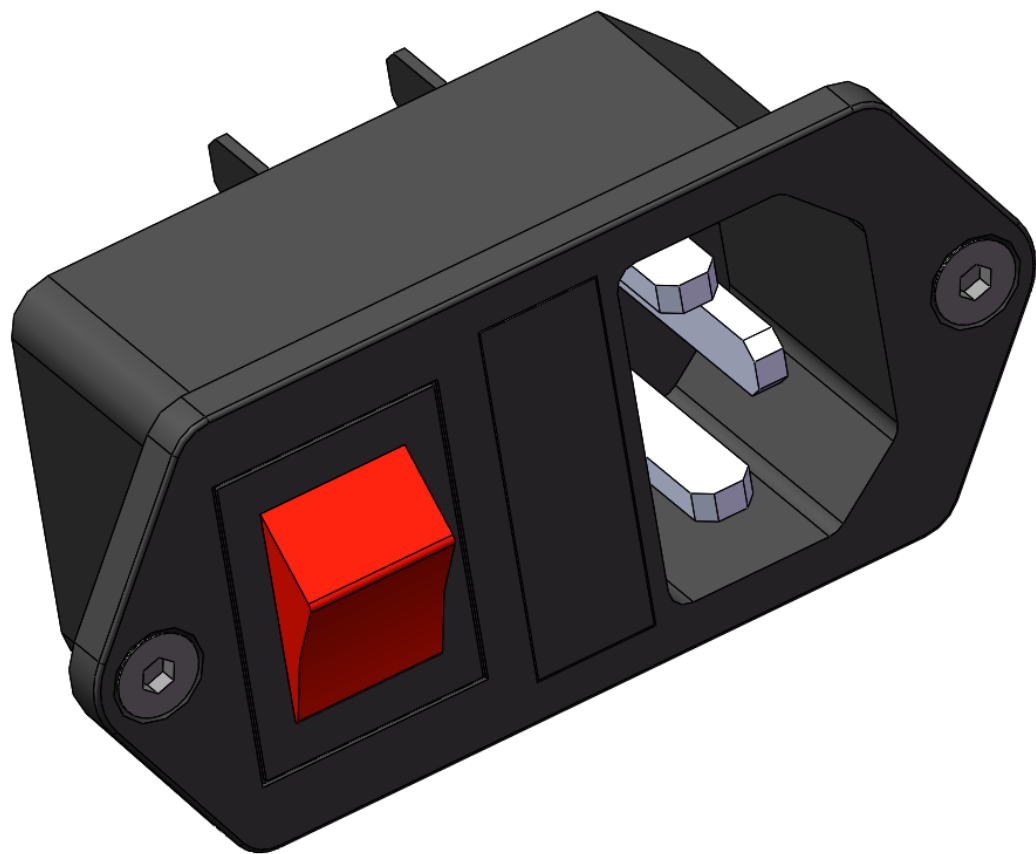


08.201.0024
42-48-L2042-48-L20 Sliver High-Speed Stepper
Motor(with timing pulley)

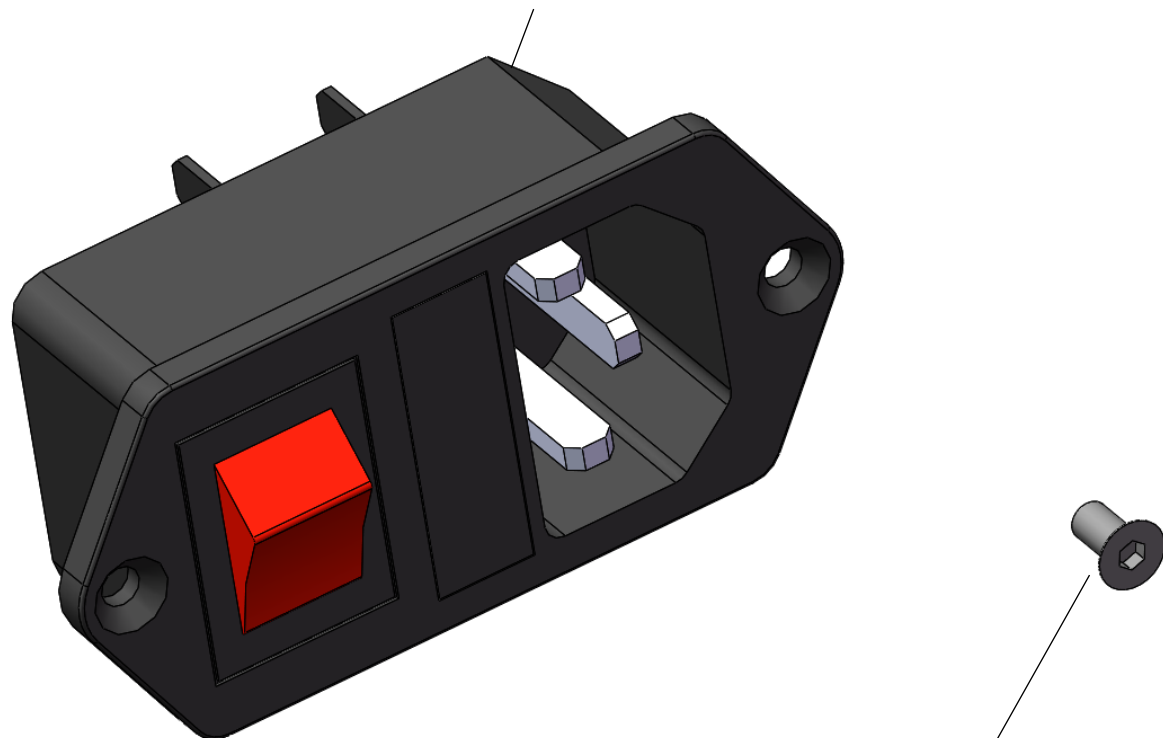


03.202.0054
底座上板
Upper Plate of the Base





20.204.0147
开关组件
Switch Assembly

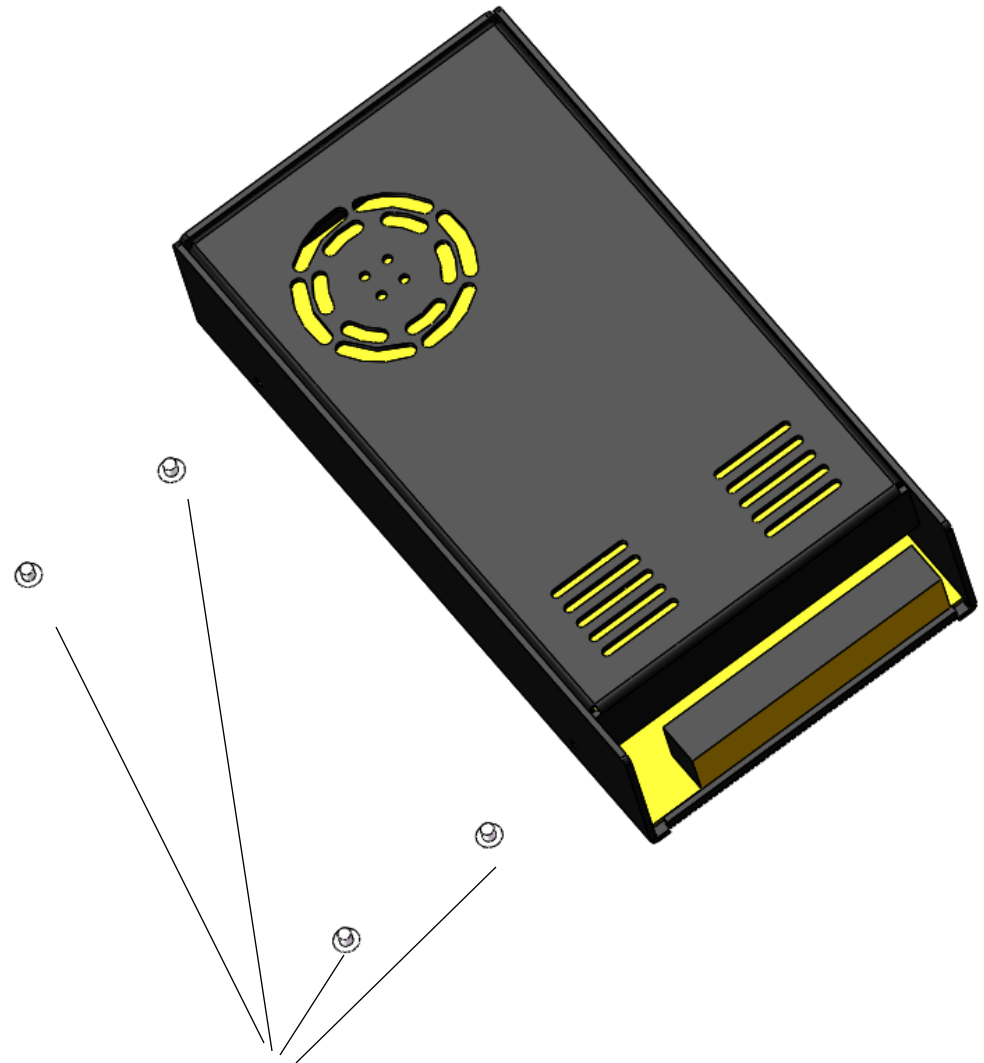


04.202.0010
组合开关
Combination Switch

09.201.0011
内六角沉头螺钉 M3*6
M3 x 6 Hex Socket Countersunk
Head



04.201.0022
400W Black Switch Power
Cat # 001420



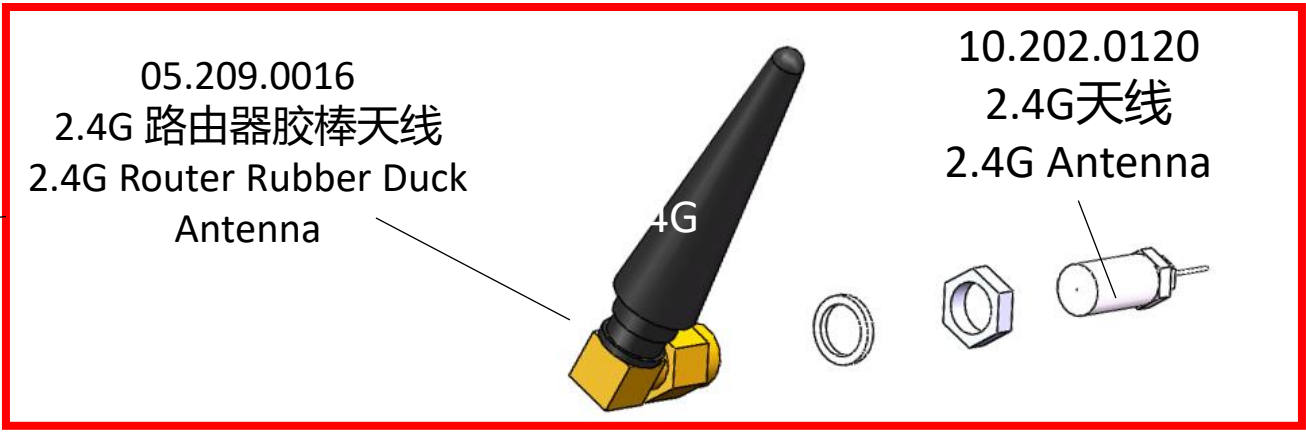
09.202.0017
内六角半圆头螺钉 M4*4
M4 x 4 Hex Socket Screws,
Half Round



20.204.0139
WIFI网口组件
WIFI LAN Port Assembly



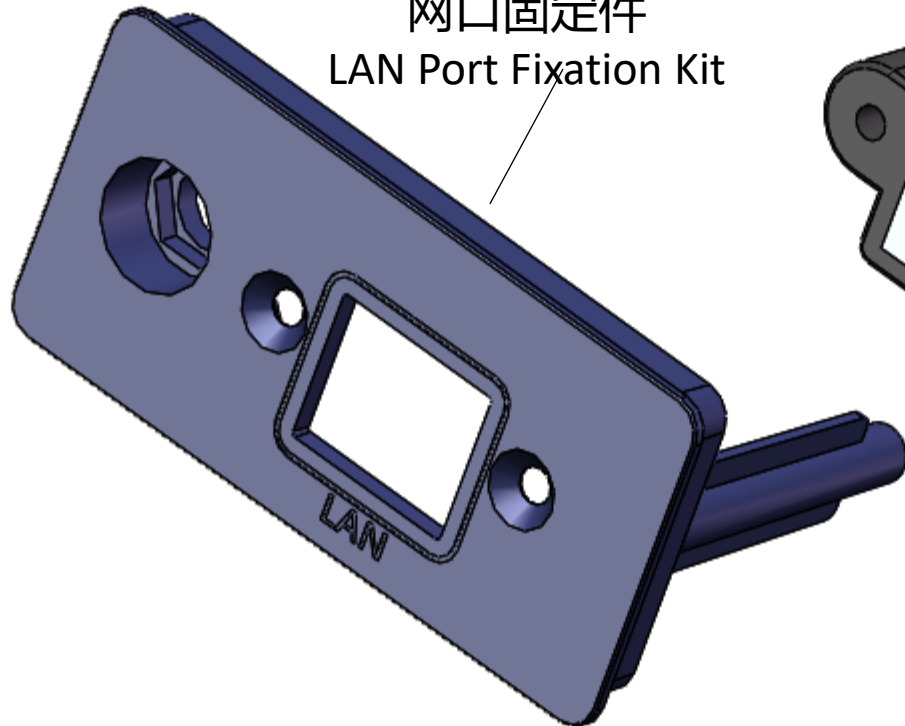
20.205.0086
天线组件
Antenna Assembly



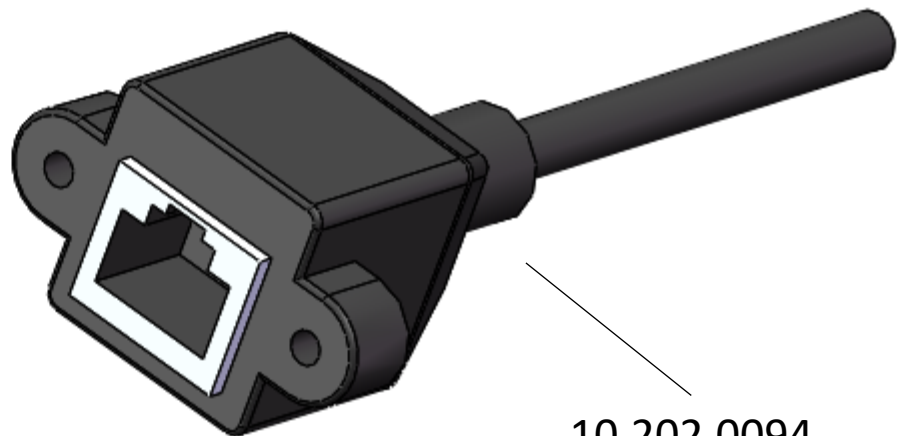
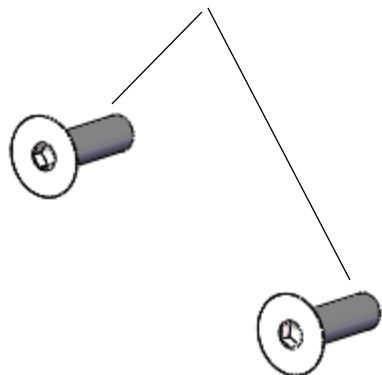
05.209.0016
2.4G 路由器胶棒天线
2.4G Router Rubber Duck
Antenna

10.202.0120
2.4G天线
2.4G Antenna

05.201.0129
网口固定件
LAN Port Fixation Kit



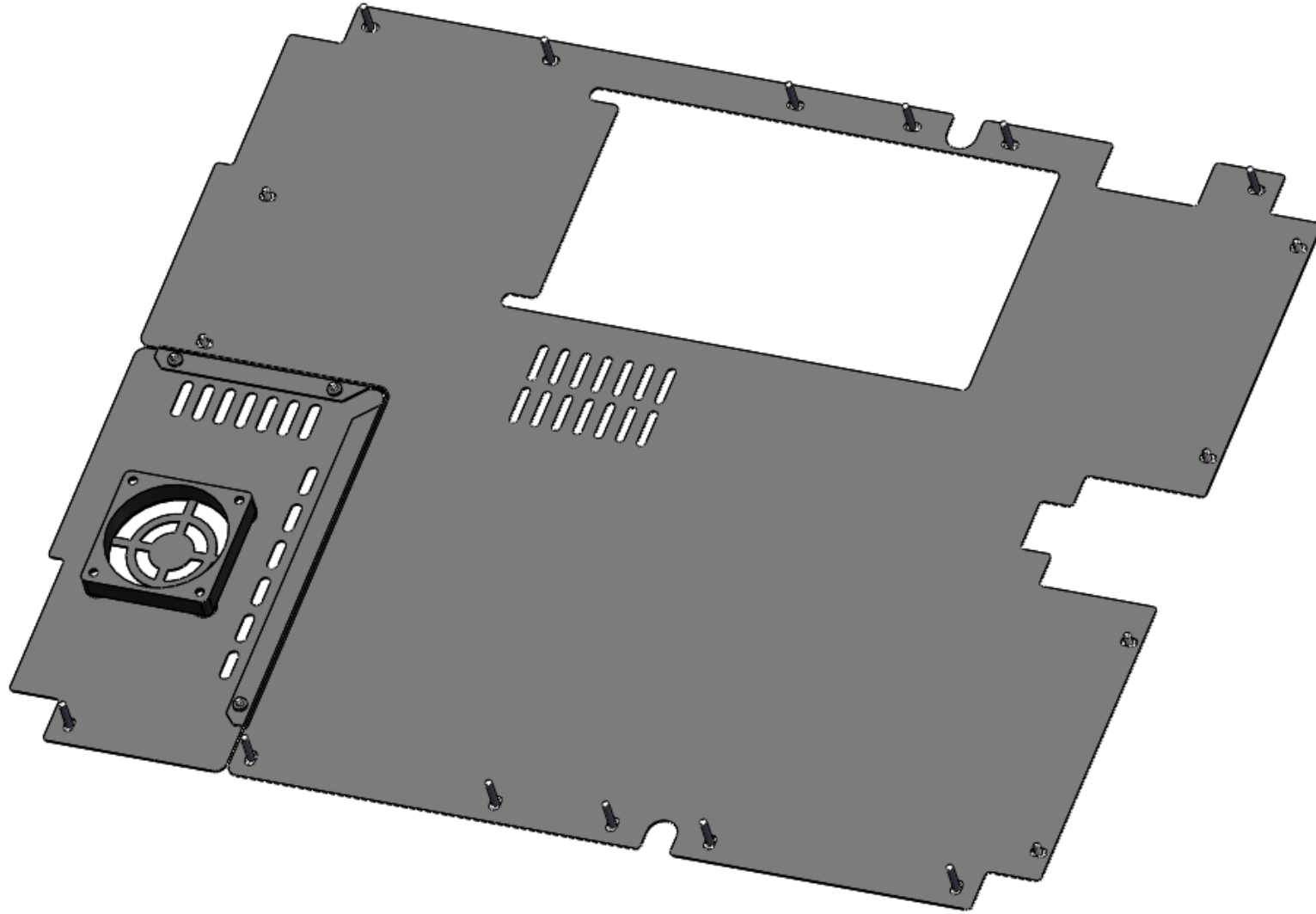
09.201.0002
内六角沉头螺钉 M3*10
M3 x 10 Hex Socket
Countersunk Head Screw



10.202.0094
网络延长线
LAN Port Extension Cable



09.206.0016
内六角杯头带垫片尖尾自攻螺钉/PA
3*16
3 x 16 Hex Socket Washer
Combination Self Tapping Screws with
Sharpening End, Cup Head



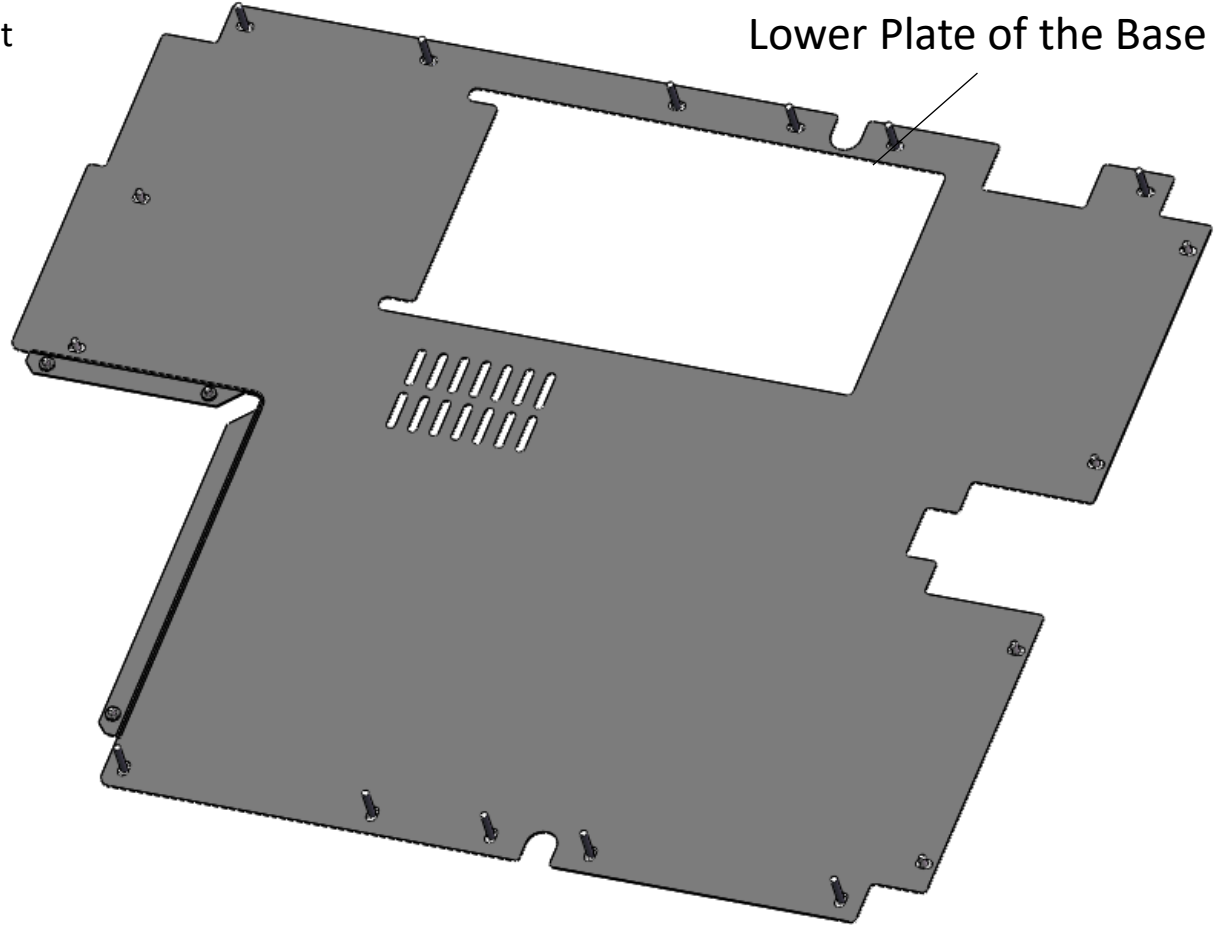
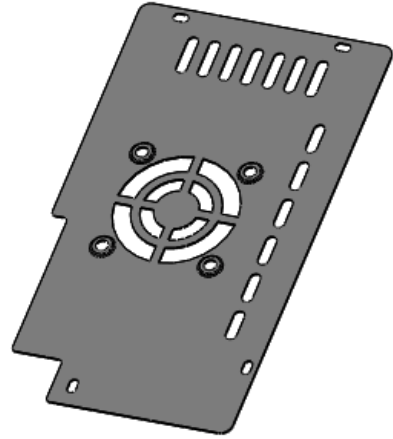
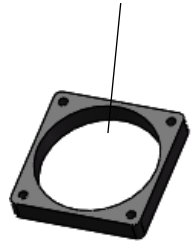
20.204.0149
底座下板组件
Lower Plate Assembly

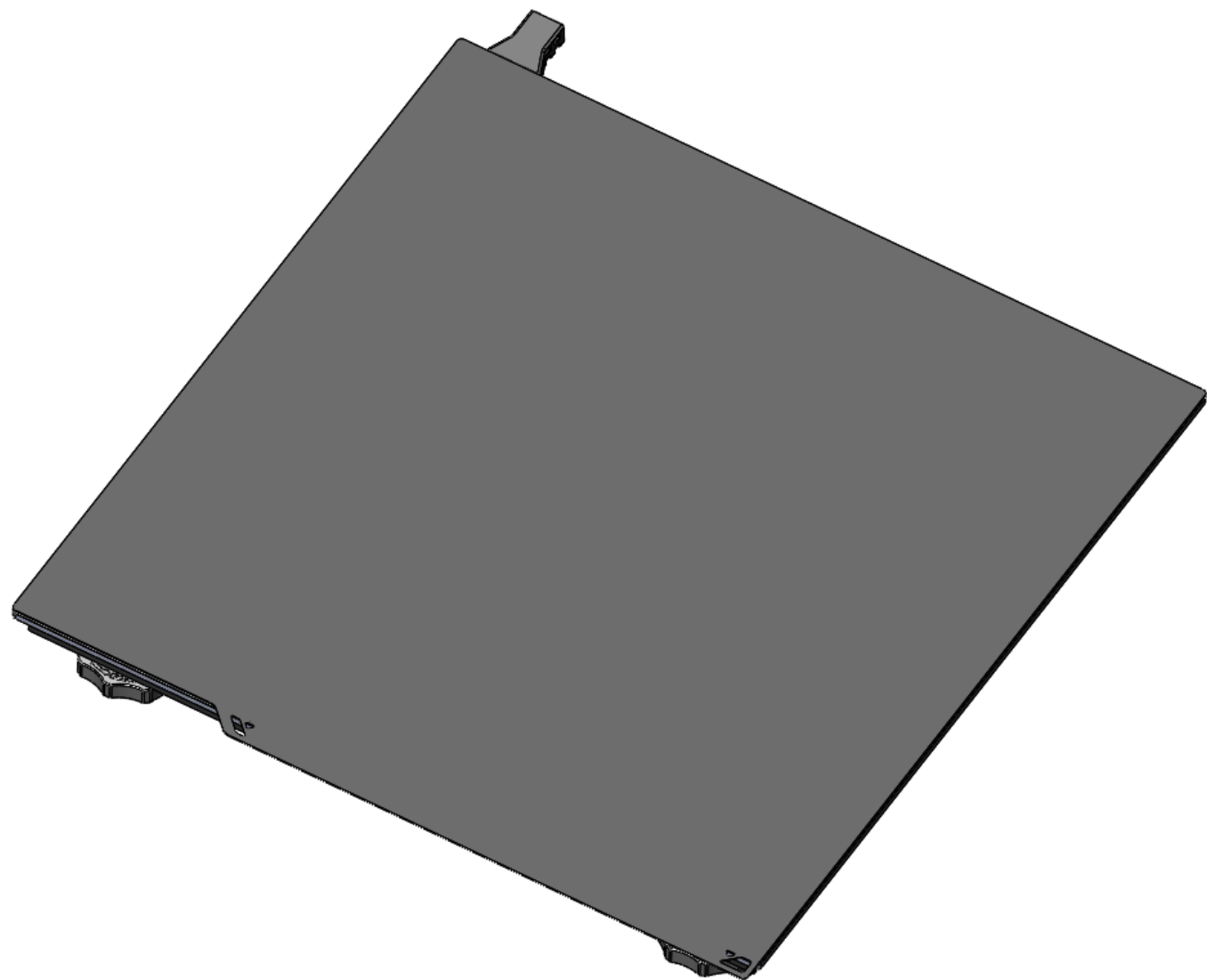
09.206.0011
十字沉头割尾开槽自攻螺钉
/KT 5*10

M3 x 10 Cross Countersunk
Head Self Tapping
Screw, ,Scrape Point

03.202.0053
底座下板
Lower Plate of the Base

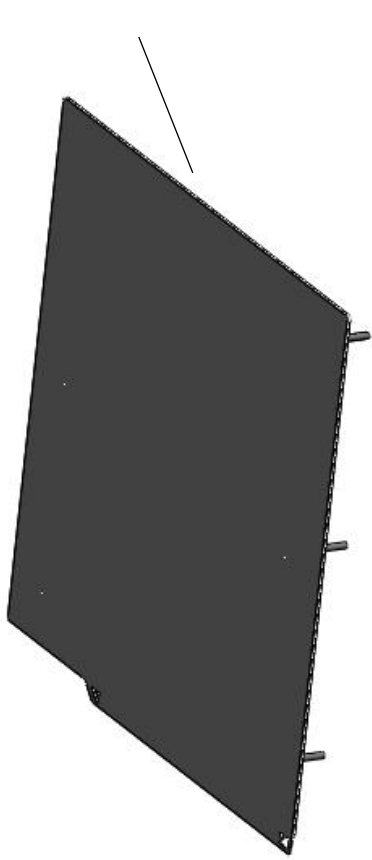
04.203.0020
6010Axial Flow Fan
Cat # 001427



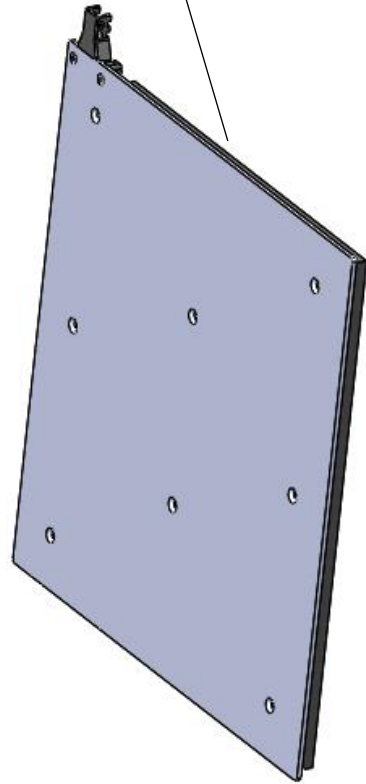


20.204.0148
底部滑块板套件
Base Silder Block Kit

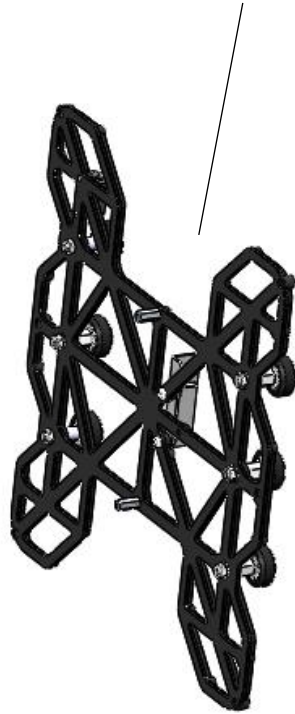
20.205.0089
平台贴纸组件
Plate Sticker Assembly



20.205.0088
Base Slider Block Kit
Cat # 001467



20.205.0090
底部滑块板组件
Base Slider Assembly



05.201.0077
手拧螺母-D50
Knurled Nut-D50

06.204.001
模具弹簧D8x20
D8x20 Mould Coil Spring



05.201.0081
手拧螺母-D40
Knurled Nut-D40

20.206.0031

Y-Axis Acceleration Module

Cat # 001475

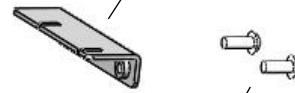


02.209.0011
隔离柱-H10.35
Spacer-H10.35

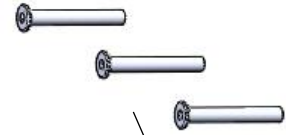
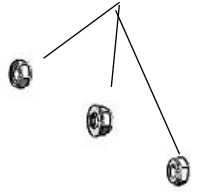


03.202.0055

Y轴皮带固定支架
Y-Axis Belt Holder

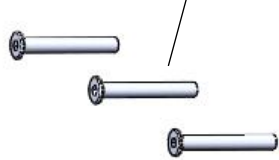


09.205.0001
自锁螺母 M5
Self-Hold Nut M3



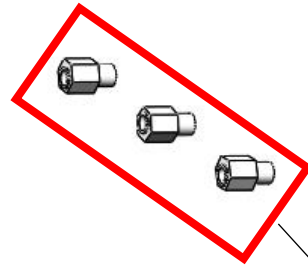
09.211.0004

扁平头内六角螺钉 M5*35
M5 x 35 Hex Socket Screws,
Flat Head



09.202.0025

内六角半圆头螺钉
M4*10
M4 x 10 Hex Socket
Screws, Half Round



09.208.0006
M4x13.5X8六角螺柱
M4x13.5X8 Hex Socket
Bolt

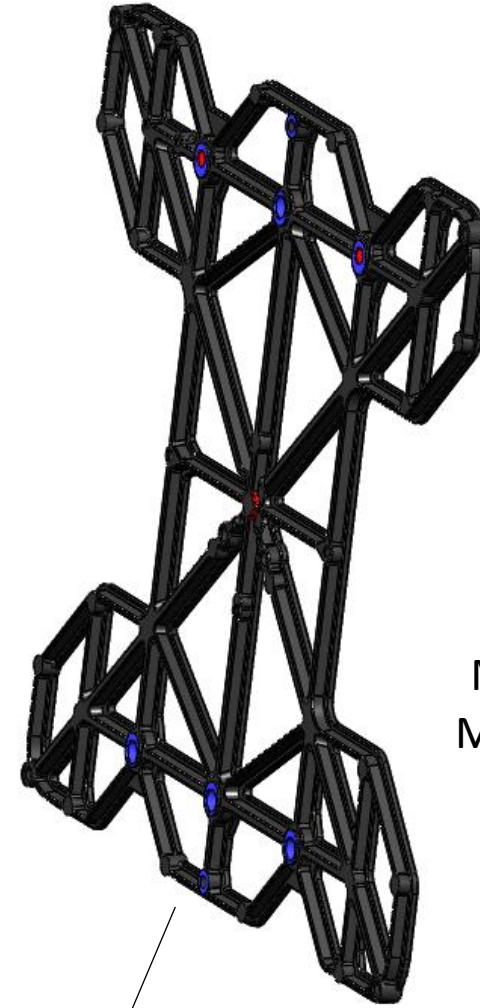


20.206.0001
滑轮组件
Slider Assembly

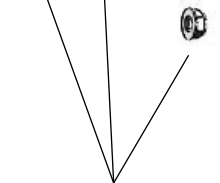


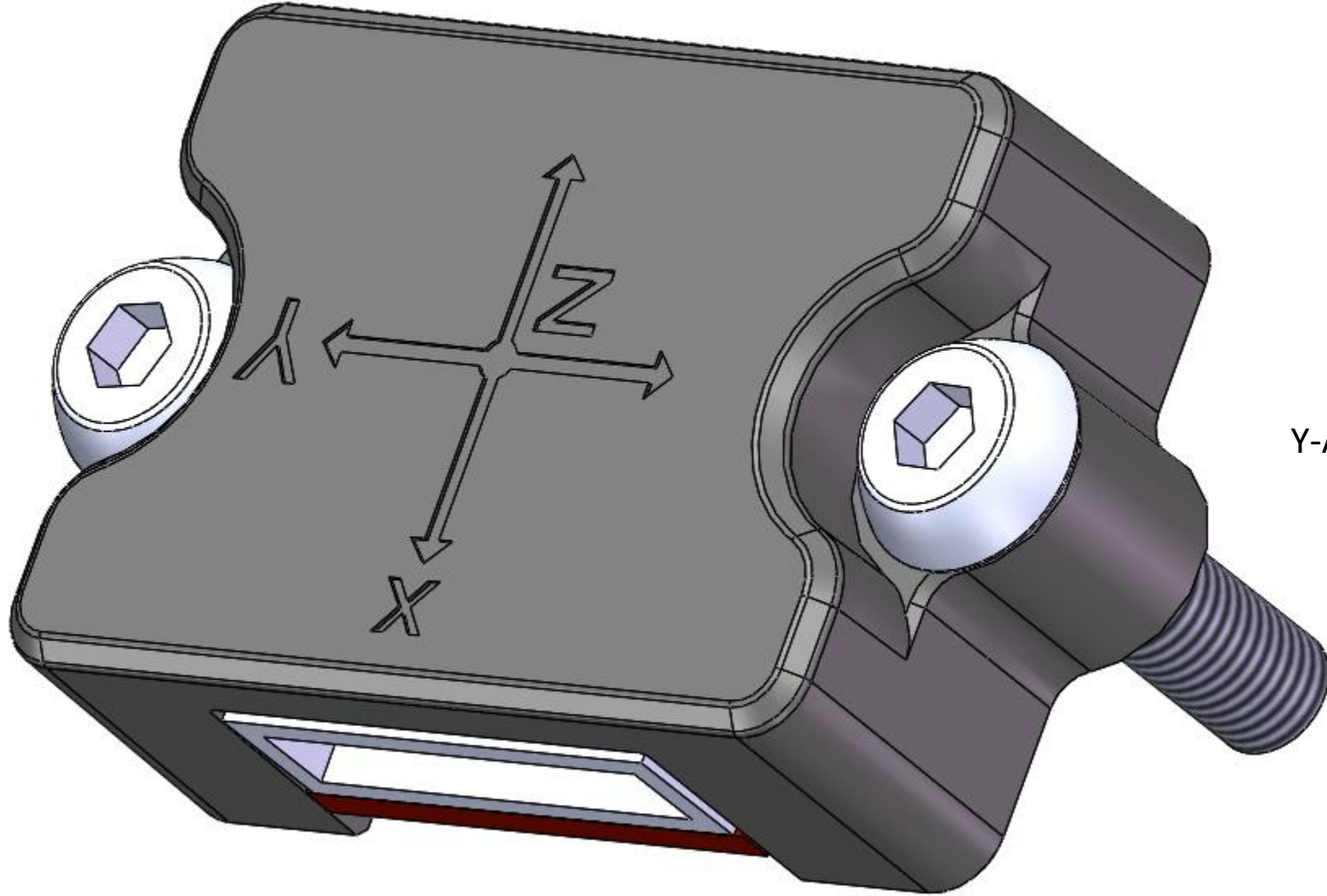
02.209.0010
偏心隔离柱-4MAX
Eccentric Insulators

02.202.0001
底部滑块件
Base Slider Assembly



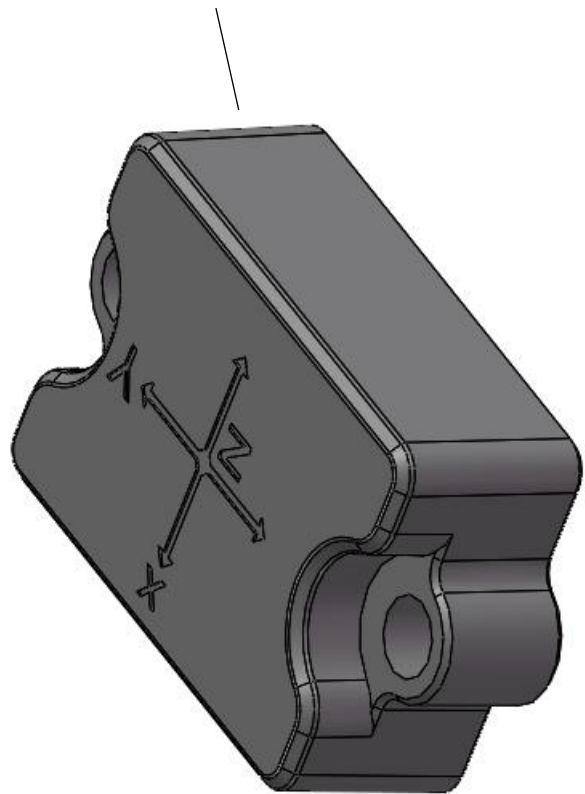
09.205.0001
自锁螺母 M5
Self-Hold Nut M3



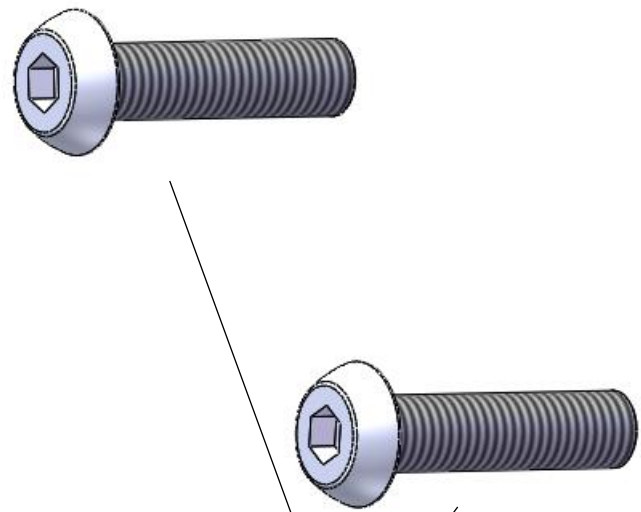
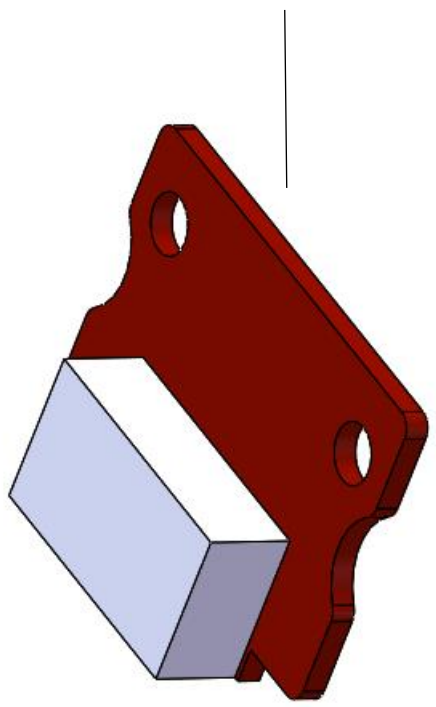


20.206.0031
Y-Axis Acceleration Module Assembly
Cat # 001475

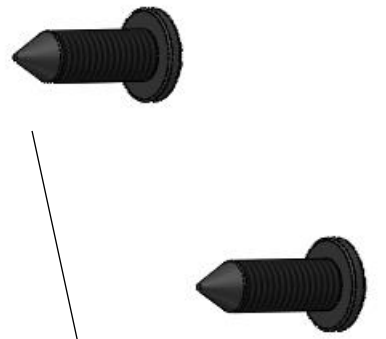
05.201.0131
加速度计外壳
Acceleration Housing



01.201.0031
加速度计PCBA
Acceleration PCBA



09.202.0004
内六角半圆头螺钉 M3*10
M3 x 10 Hex Socket Screws,
Half Round



09.206.0010
十字盘头尖尾自攻螺钉/PA 2*6
2 x 6 Cross Pan Head Tapping
Screws with Sharp End

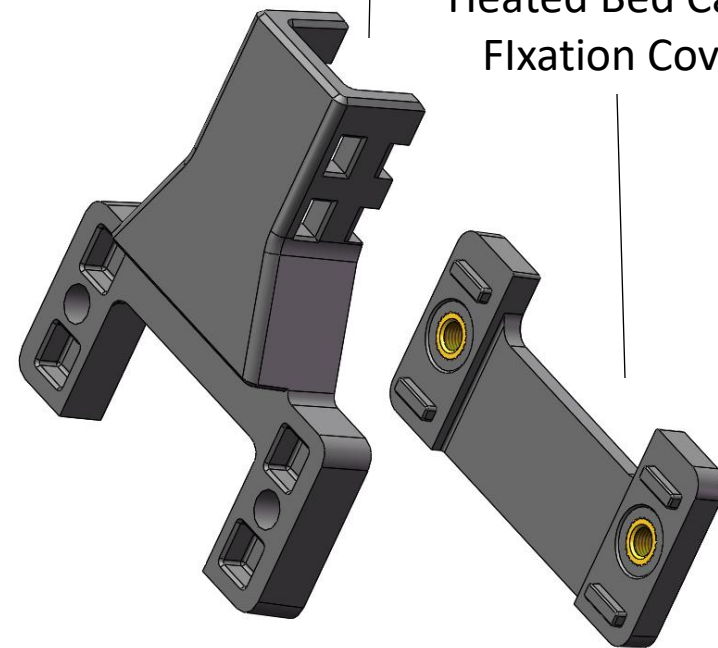
09.201.0002
内六角沉头螺钉 M3*10
M3 x 10 Hex Socket
Countersunk Head Screw



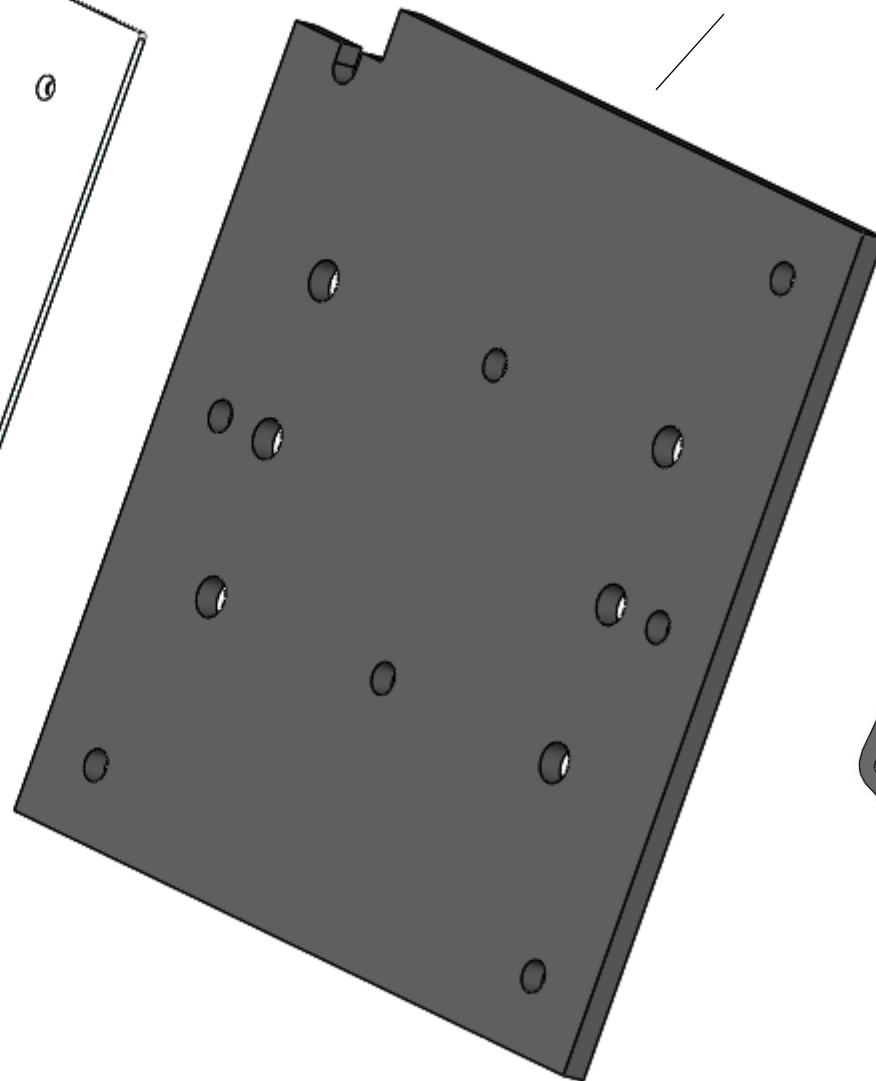
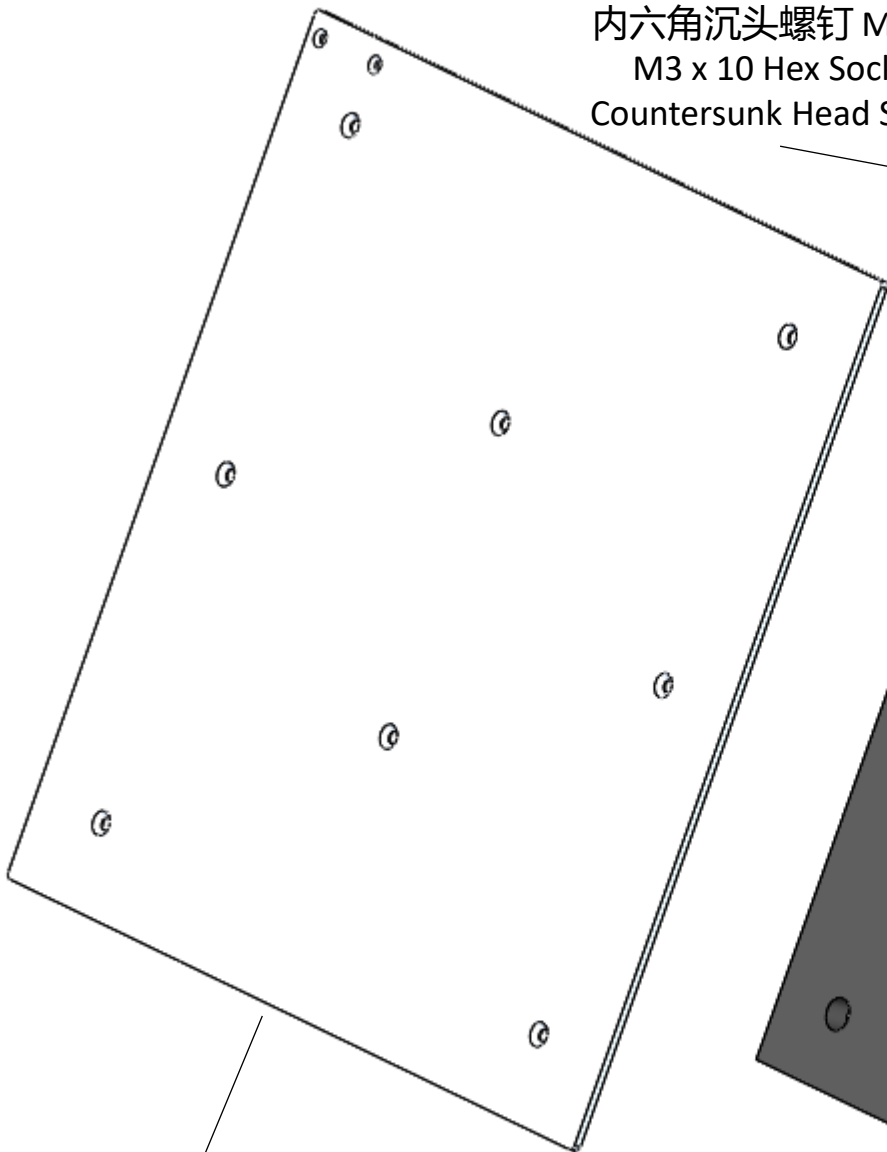
12.202.0049
热床保温棉-Plus
Heated Bed Insulated
Cotton-Plus

05.201.0122
热床线固定件
Heated Bed Cable
Fixation

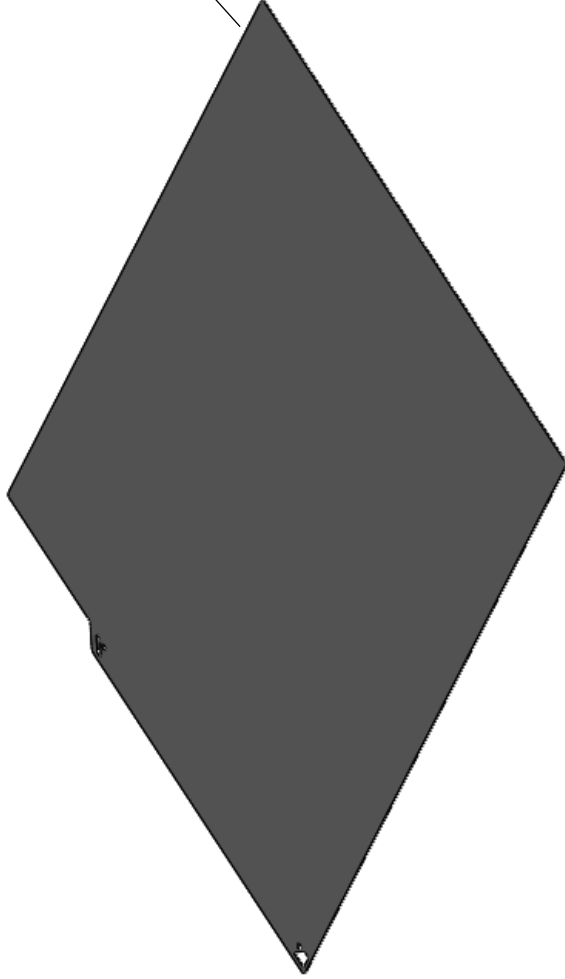
05.201.0123
热床线固定件盖
Heated Bed Cable
Fixation Cover



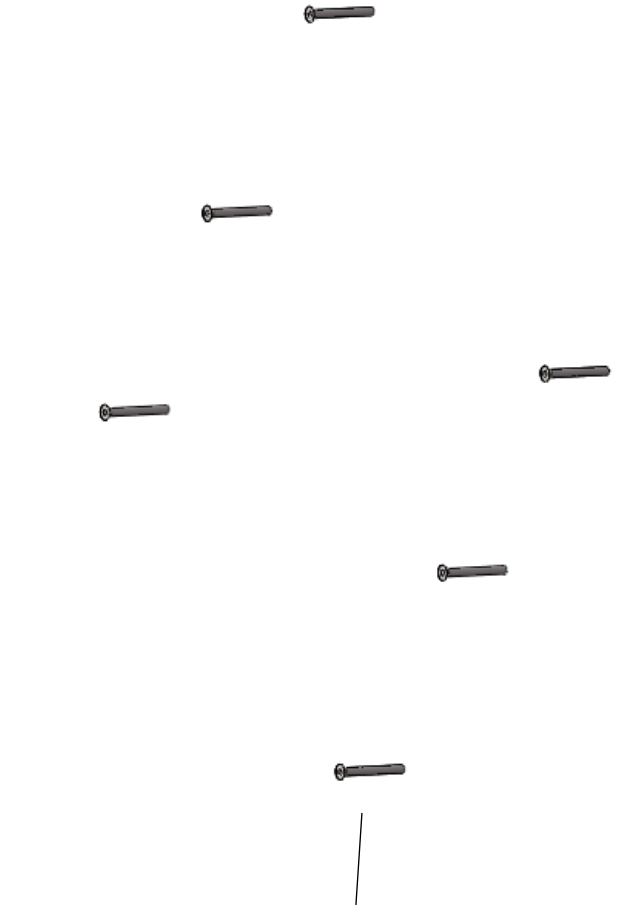
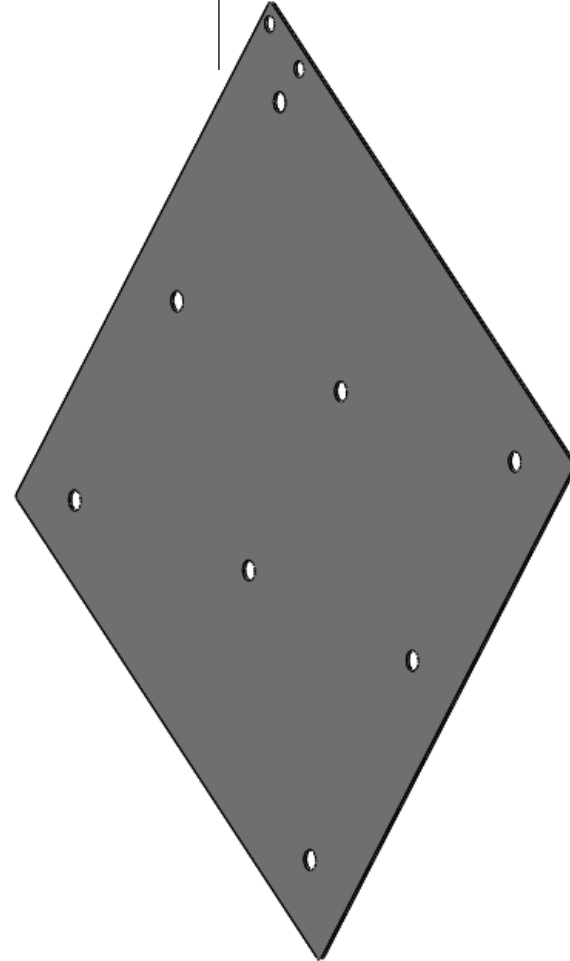
04.209.0010
热床板-Plus
Heated Bed Plate-Plus



13.202.0024
Plate-330
Cat # 001447



13.202.0014
Soft Magnetic Plate
Cat # 001681



09.201.0027
内六角沉头螺钉 M4*35
M4 x 35 Hex Socket
Countersunk Head Screw